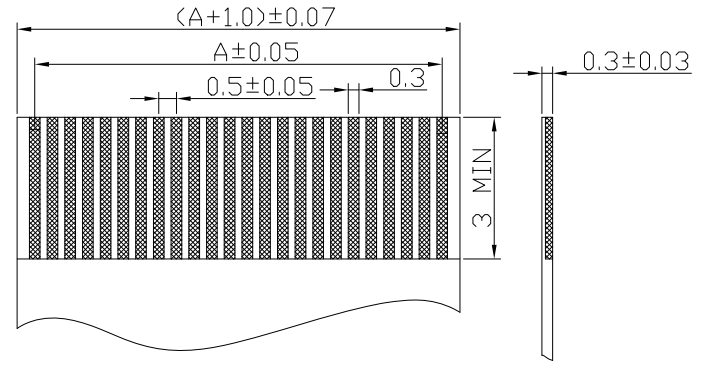
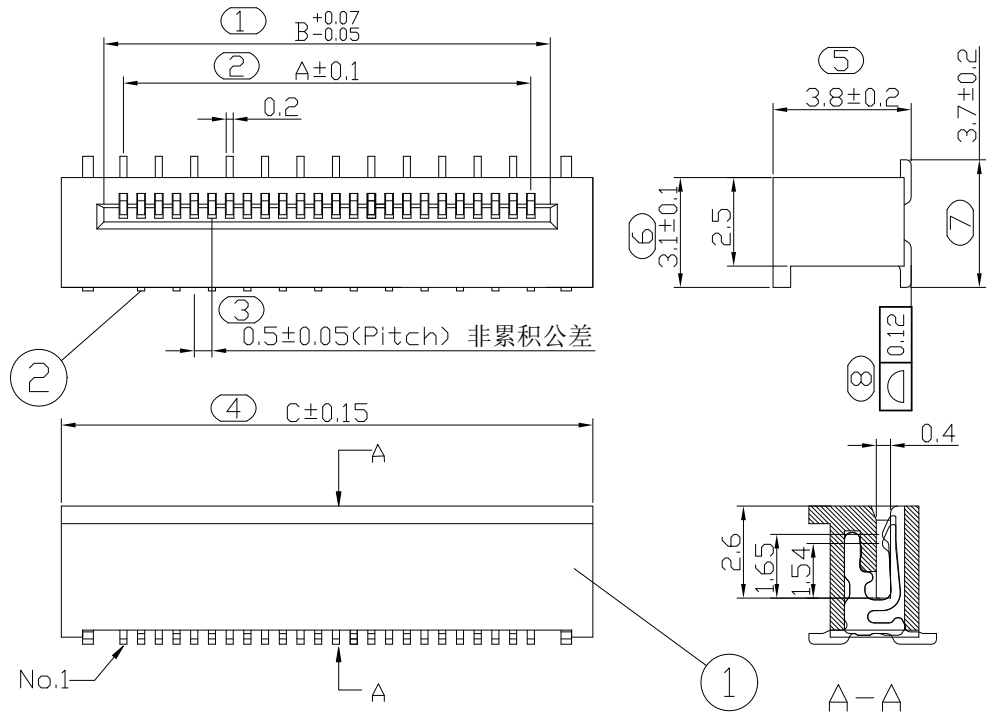


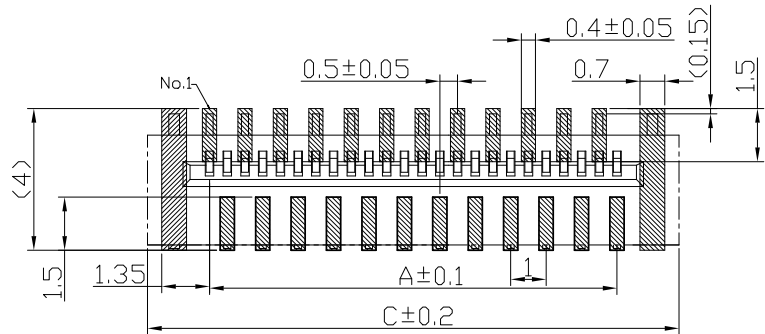
REV.	DESCRIPTION	DATE
B/0	升 B 版	2018.12.22
B/1	7号尺寸3.7±0.1改为3.7±0.2	2020.3.5



适用FPC寸法
APPLICABLE FPC

- NOTES:
- MATERIAL SEE TABLE;
 - PLATING SEE TABLE;
 - RATING
 - 3-1. OPERATING TEMPERATURE: -25~85°C
 - 3-2. OPERATING VOLTAGE: 50V AC/DC
 - 3-3. CURRENT RATING: 0.5 AMPS
 - 3-4. DIELECTRIC WITHSTANDING VOLTAGE: 500V AC/Minute;
 - 3-5. INSULATION RESISTANCE: 500MΩ Min;
 - 3-6. CONTACT RESISTANCE: 0.03Ω Max;
 - PART NO.
- 60012-**01-5001
- SERIES: 08-26
- CIRCUIT NO.:
- Packing Option:
0=Reel Packing
1=Tube Packing
- Lead Free & HF
5=Halogen-Free
- Plating:
1=BRIGHT-TIN
80 μ"Min. OVER Ni
30 μ"Min..

CKT	Dim A	Dim B	Dim C
8	3.5	4.56	7
10	4.5	5.56	8
12	5.5	6.56	9
14	6.5	7.56	10
16	7.5	8.56	11
20	9.5	10.56	13
22	10.5	11.56	14
24	11.5	12.56	15
25	12	13.06	15.5
26	12.5	13.56	16



适用线路板
RECOMMENDED PCB LAYOUT

序号	图号	名称	材料	数量	附注
3	122-0011-001	焊片 Fitting Nail	磷青铜 Phosphor Bronze	2	电镀(锡): 整个表面镀底镍30u"MIN,再镀锡80u"MIN.
2	112-0011-001	端子 Contact	磷青铜 Phosphor Bronze	n×1	电镀(锡): 整个表面镀底镍30u"MIN,再镀锡80u"MIN.
1	132-0011-001	基板 Housing	LCPI(UL94V-0)	1	本色

GENERAL TOLERANCES		DRAWN BY 赵博博/2016.12.22	 新富尔电子有限公司 XINFUER ELECTORN CO.,LTD	
0.X ±0.25	X.° ±3°	CHK. BY 崔华文/2016.12.22		
0.XX ±0.12		APRV. BY 洪新江/2016.12.22		
0.XXX ±0.05	X.X° ±0.5°		SHEET 1 OF 1	PROD. NAME 0.5D-nPLBF
UNIT MM	SIZE A4	SCALE 1:1	DRAWING NO. 006-0012-001	PART NO. 60012-**01-5001
TITLE 0.5 FPC CONN. NON-ZIF SMT H=3.8 VERTICAL CONTACT				

借用登记

旧底图总号

底图总号

签字

日期