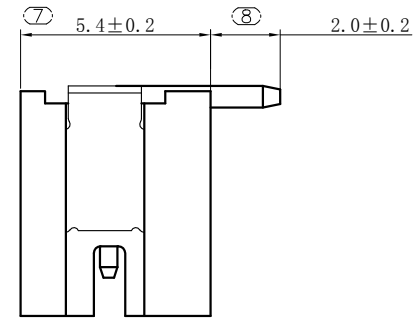
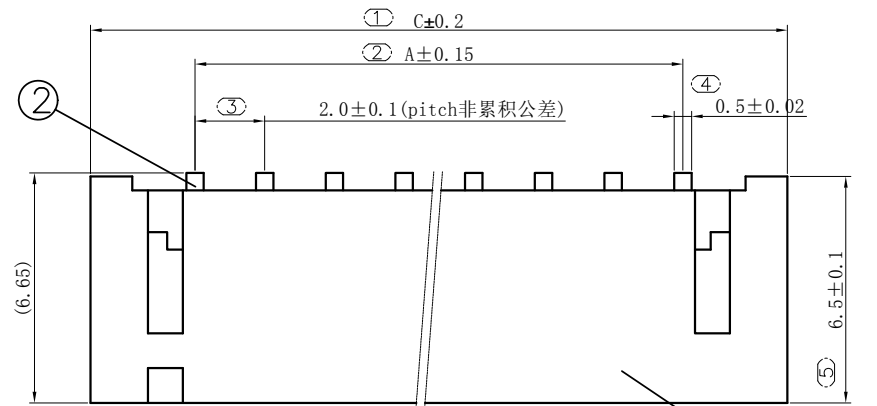
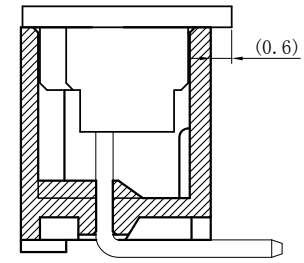
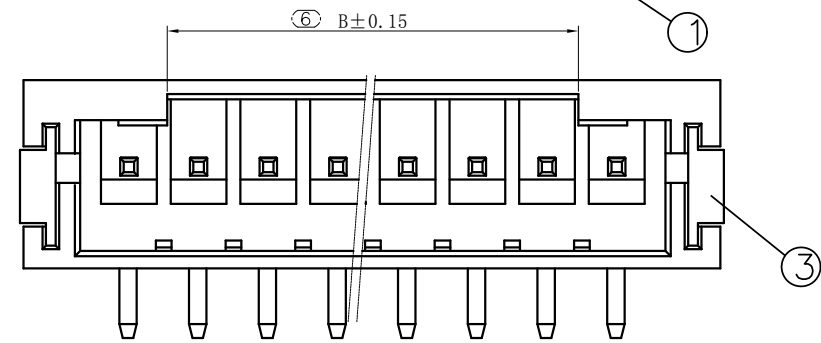


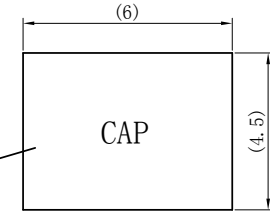
REV.	DESCRIPTION	DATE
B/0	升 B 版	2016.12.20
B/1	修正PCB LAYOUT	2017.09.19



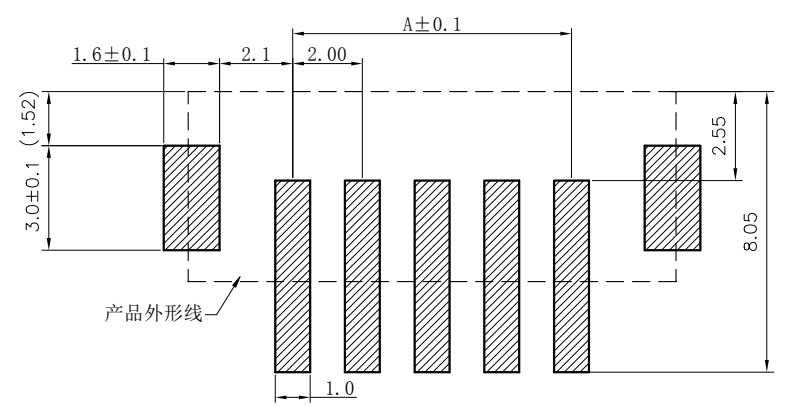
NOTES:
 1. MATERIAL SEE TABLE;
 2. PLATING SEE TABLE;
 3. RATING
 3-1. OPERATING TEMPERATURE:-25~85°C
 3-2. OPERATING VOLTAGE: 250V AC/DC
 3-3. CURRENT RATING: 2.0 AMPS(AWG#24);
 3-4. DIELECTRIC WITHSTANDING VOLTAGE:
 1000V AC/Minute;
 3-5. INSULATION RESISTANCE:1000MΩ Min;
 3-6. CONTACT RESISTANCE:0.03Ω Max;
 4. PART NO.
 61040-**01-5001
 SERIES
 CIRCUIT NO. 02-16
 Packing Option:
 0=Reel Packing
 1=Tube Packing
 2=Tray Packing
 3=Bag Packing
 Plating:
 1=BRIGHT-TIN 80μ"Min
 OVER Ni 30μ"Min..
 Lead Free & HF
 1&2=Lead Free
 5&6=Halogen-Free



适合CAP



CKT	Dim A	Dim B	Dim C
2	2	1.2	8
3	4	1.8	10
4	6	3.8	12
5	8	5.8	14
6	10	7.8	16
7	12	9.8	18
8	14	11.8	20
9	16	13.8	22
10	18	15.8	24
11	20	17.8	26
12	22	19.8	28
13	24	21.8	30
14	26	23.8	32
15	28	25.8	34
16	30	27.8	36



产品外形线

PH-nAB PCB寸法
PCB Layout

序号	图号	名称	材料	数量	附注
4	152-1039-001	盖子	PA9T UL94V-0)	1	枪
3	122-1040-001	焊片 Fitting Nail	磷青铜 Phosphor Bronze	2	电镀(锡): 整个表面镀层30u"MIN,再镀锡80u".MIN.
2	112-1040-001	端子 Contact	黄铜 Brass	n×1	电镀(锡): 整个表面镀层30u"MIN,再镀锡80u".MIN.
1	132-1039-001	基板 Wafer	LCP (UL94V-0)	1	枪

GENERAL TOLERANCES		DRAWN BY	赵博博/2016.12.20	
0.X	±0.25	X.°	±3°	
0.XX	±0.12			
0.XXX	±0.05	X.X°	±0.5°	
CHK. BY	崔华文/2016.12.20			
APRV. BY	洪新江/2016.12.20			
UNIT	SIZE	SCALE	DRAWING NO.	1 OF 1
MM	A4	1:1	006-1040-001	PART NO. 61040-**01-5001
			TITLE	
			2.0 WTB CONN. SMT SINGLE ROW VERTICAL	

新富尔电子有限公司
XINFUER ELECTORN CO.,LTD

SHEET PROD. NAME PH-nAB

借用登记
旧底图总号
底图总号
签字
日期