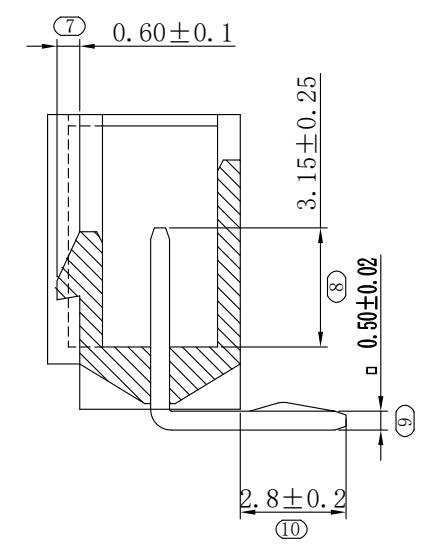
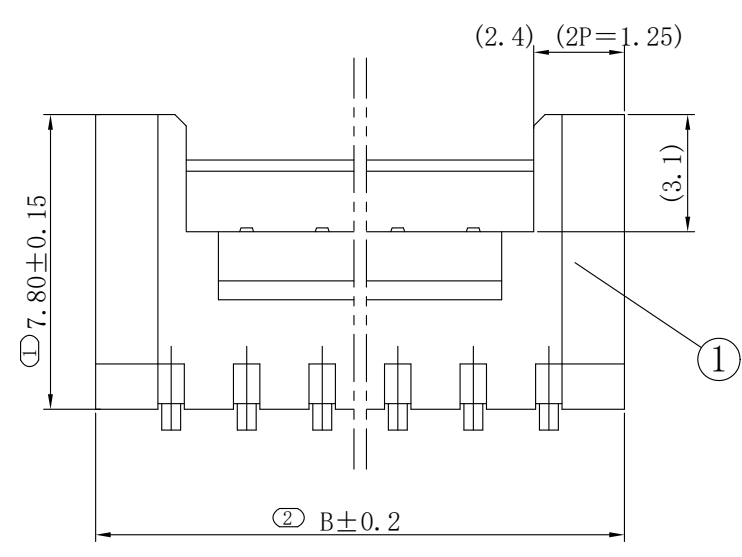
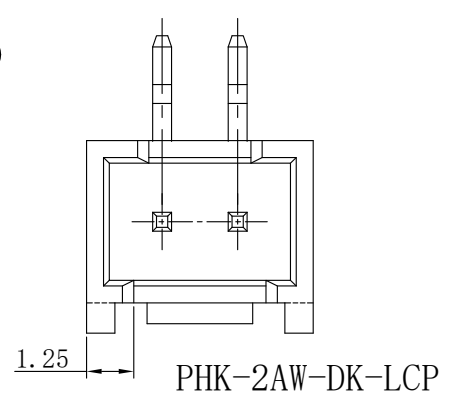
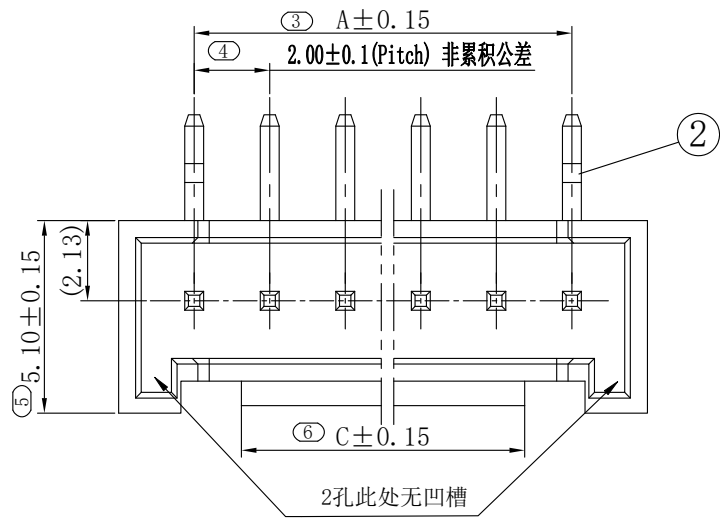


REV.	DESCRIPTION	DATE
A/0	新版发行	2019.07.09



- NOTES:
- MATERIAL SEE TABLE;
 - PLATING SEE TABLE;
 - RATING
 - 3-1. OPERATING TEMPERATURE: -25~85°C
 - 3-2. OPERATING VOLTAGE: 250V AC/DC
 - 3-3. CURRENT RATING: 2AMPS(24#)
 - 3-4. DIELECTRIC WITHSTANDING VOLTAGE: 1000V AC/Minute;
 - 3-5. INSULATION RESISTANCE: 1000MΩ Min;
 - 3-6. CONTACT RESISTANCE: 0.03Ω Max;
 - PART NO.

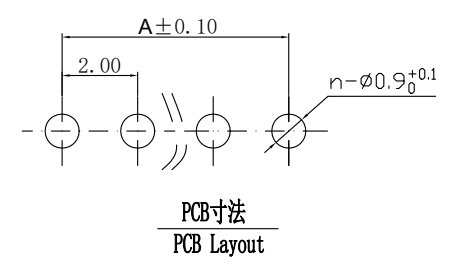
61036-***2-5002
 SERIES
 CIRCUIT NO 2-16
 Packing Option:
 2=Tray Packing
 3=Bag Packing

Lead Free & HF
 5=HF

Plating:
 2=MATTE-TIN 80μ"Min
 OVER Ni 30μ"Min.

CKT	Dim A	Dim B	Dim C
2	2	6	2.8
3	4	8	3.2
4	6	10	3.5
5	8	12	5.5
6	10	14	7.5
7	12	16	9.5
8	14	18	11.5
9	16	20	13.5
10	18	22	15.5
11	20	24	15.5
12	22	26	15.5
13	24	28	15.5
14	26	30	15.5
15	28	32	15.5
16	30	34	15.5

借用登记
 旧底图总号
 底图总号
 签字
 日期



2	112-1036-001	端子 Contact	黄铜 (brass)	3	电镀: 整个表面镀底镍30u"MIN,再镀锡80u"MIN.
1	132-1035-501	基板 Housing	LCP (UL94V-0)	1	本色
序号	图号	名称	材料	数量	附注
GENERAL TOLERANCES			DRAWN BY	赵博博/2019.07.09	
0.X	±0.25	X.* ±3°	CHK. BY	崔华文/2019.07.10	
0.XX	±0.12		APRV. BY	洪新江/2019.07.09	
0.XXX	±0.05	X.X* ±0.5°	DRAWING NO.	006-1036-501	
UNIT	SIZE	SCALE	SHEET 1 OF 1		
MM	A4	1:1	PROD. NAME PHK-nAW-DK-LCP		
			PART NO. 61036-***2-5002		
TITLE 2.0 WTB CONN. DIP SINGLE ROW RIGHT-ANGLE					

ZJ XFE 新富尔电子有限公司
 XINFUER ELECTORN CO.,LTD