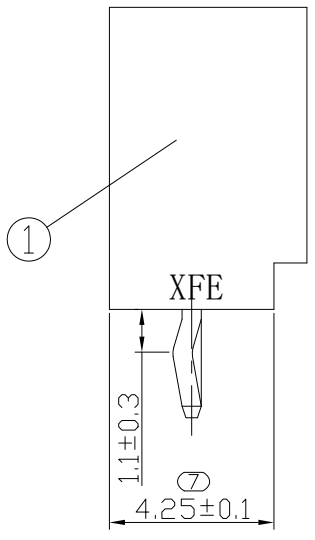
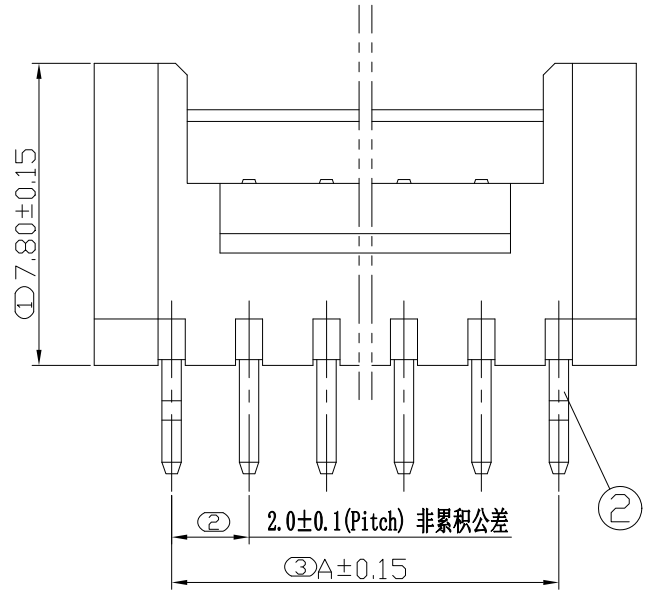
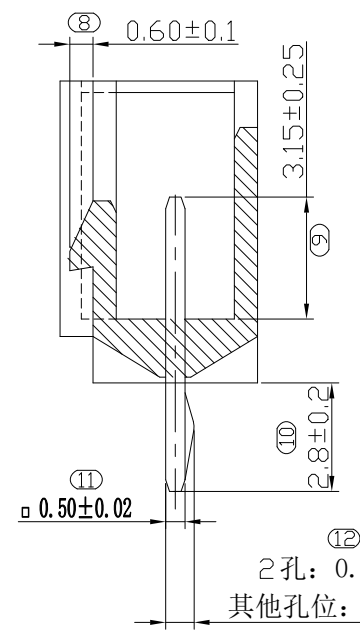
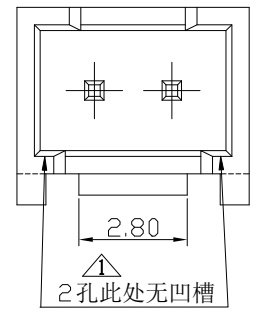
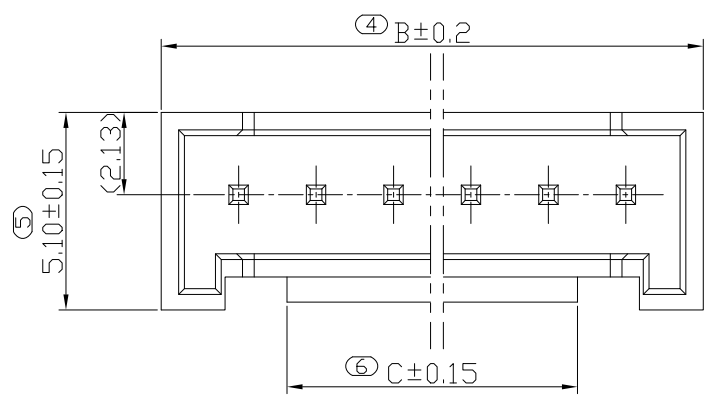


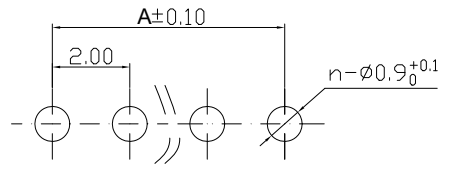
REV.	DESCRIPTION	DATE
B/0	升 B 版	2016.12.22
B/1	12号尺寸0.75 ^{+0.15} 变更为2孔0.85 ^{+0.15} , 其他孔位0.75 ^{+0.15}	2021.01.22



NOTES:
 1. MATERIAL SEE TABLE;
 2. PLATING SEE TABLE;
 3. RATING
 3-1. OPERATING TEMPERATURE: -25~85°C
 3-2. OPERATING VOLTAGE: 250V AC/DC
 3-3. CURRENT RATING: 2.0 AMPS
 3-4. DIELECTRIC WITHSTANDING VOLTAGE: 1000V AC/Minute;
 3-5. INSULATION RESISTANCE: 1000MΩ Min;
 3-6. CONTACT RESISTANCE: 0.03Ω Max;
 4. PART NO.
 61035-**32-2001
 SERIES: Lead Free & HF, 1&2=Lead Free, 5&6=Halogen-Free
 CIRCUIT NO.: 02-16
 Plating: 2=MATTE-TIN 80μ"Min, OVER Ni 30μ"Min..
 Packing Option: 2=Bag Packing

CKT	Dim A	Dim B	Dim C
2	2	6	2.8
3	4	8	3.2
4	6	10	3.5
5	8	12	5.5
6	10	14	7.5
7	12	16	9.5
8	14	18	11.5
9	16	20	13.5
10	18	22	15.5
11	20	24	15.5
12	22	26	15.5
13	24	28	15.5
14	26	30	15.5
15	28	32	15.5
16	30	34	15.5

序号	图号	名称	材料	数量	备注
2	112-1035-001	端子 Contact	黄铜 Brass	n×1	收数(铜): 整个表面镀层30u"MIN, 焊脚60u"MIN.
1	132-1035-001	基板 Wafer	PA46(UL94V-0)	1	本色



PCB寸法
PCB Layout

GENERAL TOLERANCES			DRAWN BY 赵博博/2016.12.22		新富尔电子有限公司 XINFUER ELECTORN CO.,LTD
0.X	±0.25	X.°	±3°	CHK. BY 崔华文/2016.12.22	
0.XX	±0.12			APRV. BY 洪新江/2016.12.22	
0.XXX	±0.05	X.X°	±0.5°	DRAWING NO. 006-1040-001	SHEET 1 OF 1 PROD. NAME PHK-nAL-DK PART NO. 61035-**32-2001 TITLE 2.0 WTB CONN. DIP SINGLE ROW VERTICAL

借用登记
旧底图总号
底图总号
签字
日期