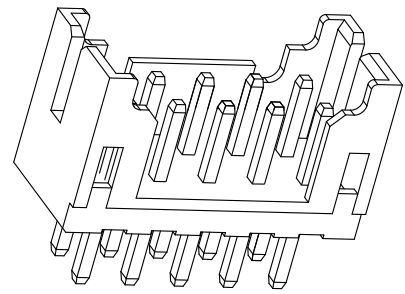
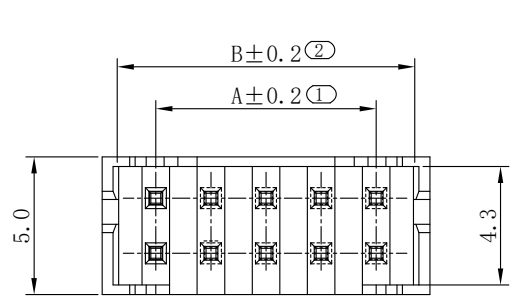
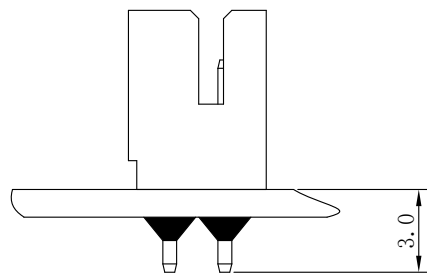
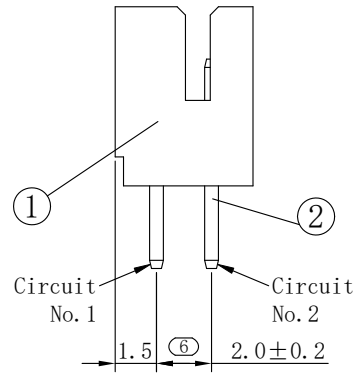
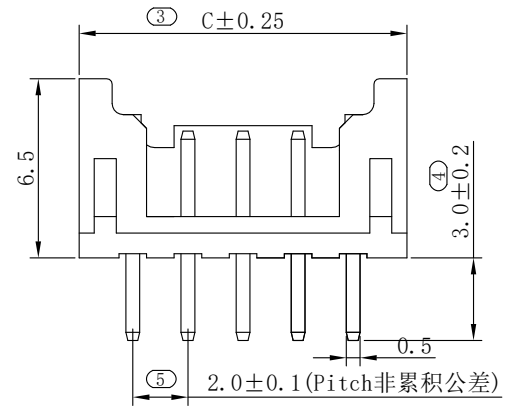


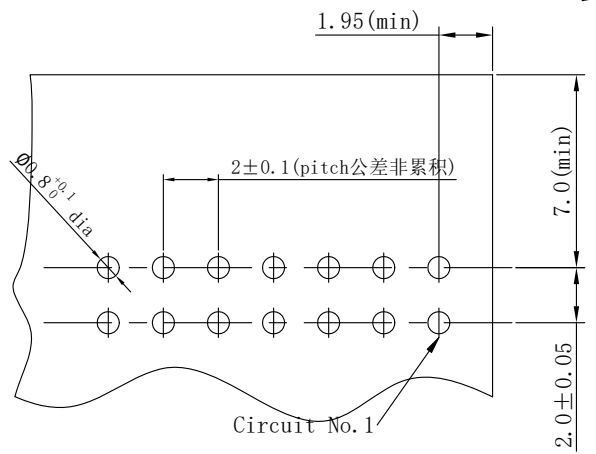
REV.	DESCRIPTION	DATE
A/0	新版发行	2017.02.18



NOTES:
 1. MATERIAL SEE TABLE;
 2. PLATING SEE TABLE;
 3. RATING
 3-1. OPERATING TEMPERATURE: -25~85°C
 3-2. OPERATING VOLTAGE: 250V AC/DC
 3-3. CURRENT RATING: 2.0 AMPS(24#)
 3-4. DIELECTRIC WITHSTANDING VOLTAGE: 1000V AC/Minute;
 3-5. INSULATION RESISTANCE: 1000MΩ Min;
 3-6. CONTACT RESISTANCE: 0.03Ω Max;
 4. PART NO.
 61031-XX22-1001
 SERIES: 1=Lead Free & HF, 1=Lead Free
 CIRCUIT NO.: 4-10
 Plating: 2=MATTE-TIN, 80μ"Min OVER Ni, 30μ"Min.
 Packing Option: 3=Bag Packing



CKT	Dim A	Dim B	Dim C
4	2	4.85	5.95
6	4	6.85	7.95
8	6	8.85	9.95
10	8	10.85	11.95



PCB寸法(t=0.8-1.6)
 P. C. BOARD Layout

3					
2	112-1031-001	插针 Contact	黄铜 Brass	n×1	电镀(锡): 整个表面镀层≥30u"MIN, 再镀锡80u"MIN.
1	132-1031-001	底座 Wafer	PA66(UL94V-0)	1	
序号	图号	名称	材料	数量	附注

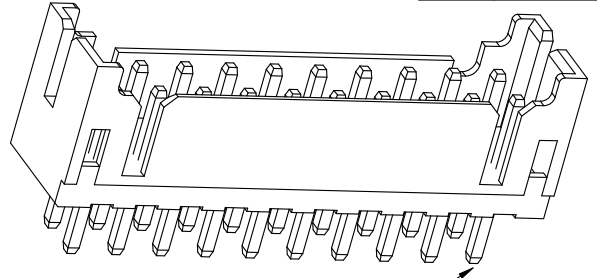
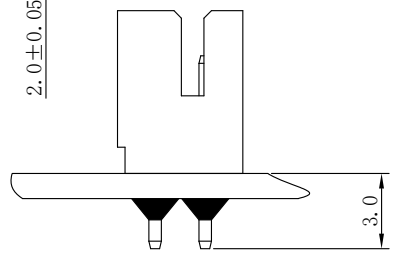
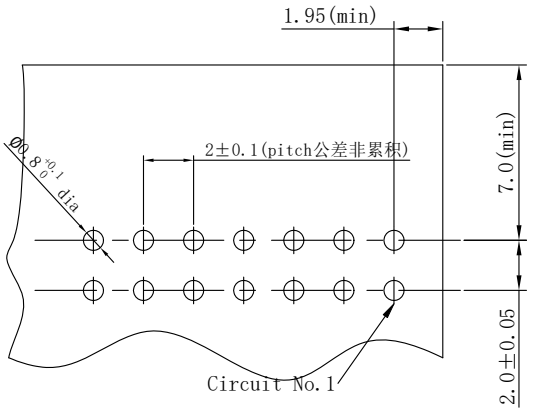
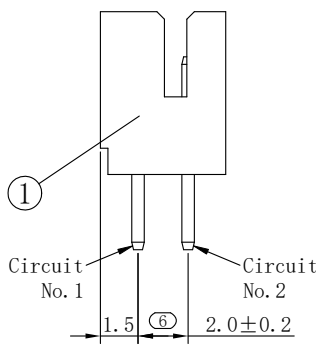
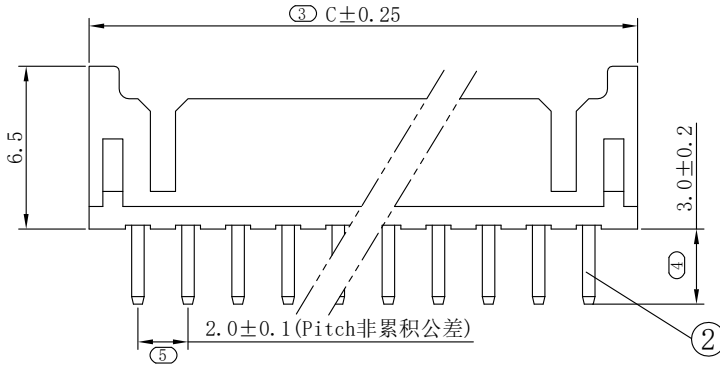
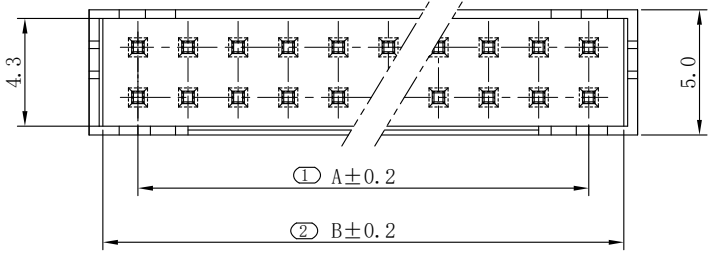
GENERAL TOLERANCES		DRAWN BY	赵博博/2017.02.18		
0.X	±0.25	X.°	±3°	CHK. BY	崔华文/2017.02.18
0.XX	±0.12			APRV. BY	洪新江/2017.02.18
0.XXX	±0.05	X.X°	±0.5°	DRAWING NO.	006-1031-001
UNIT	SIZE	SCALE		SHEET	1 OF 2
MM	A4	1:1		PART NO.	61031-**22-1001
TITLE				2.0 WT B CONN. DIP DUAL ROW VERTICAL	

新富尔电子有限公司
 XINFUER ELECTRON CO., LTD

PROD. NAME PHD-2XnA(2-5P)

借用登记
 旧底图总号
 底图总号
 签字
 日期

REV.	DESCRIPTION	DATE
A/0	新版发行	2017.02.18
A/1	更正视图方向	2021.06.30



Circuit No. 1

CKT	Dim A	Dim B	Dim C
12	10	12.85	13.95
14	12	14.85	15.95
16	14	16.85	17.95
18	16	18.85	19.95
20	18	20.85	21.95
22	20	22.85	23.95
24	22	24.85	25.95
26	24	26.85	27.95
28	26	28.85	29.95
30	28	30.85	31.95
32	30	32.85	33.95
34	32	34.85	35.95
36	34	36.85	37.95
38	36	38.85	39.95
40	38	40.85	41.95

NOTES:
 1. MATERIAL SEE TABLE;
 2. PLATING SEE TABLE;
 3. RATING
 3-1. OPERATING TEMPERATURE: -25~85°C
 3-2. OPERATING VOLTAGE: 250V AC/DC
 3-3. CURRENT RATING: 2.0 AMPS(24#)
 3-4. DIELECTRIC WITHSTANDING VOLTAGE: 1000V AC/Minute;
 3-5. INSULATION RESISTANCE: 1000MΩ/Min;
 3-6. CONTACT RESISTANCE: 0.03Ω Max;
 4. PART NO.
 61031-XX22-1001
 SERIES | Lead Free & HF
 | 1=Lead Free
 CIRCUIT NO. | Plating:
 12-40 | 2=MATTE-TIN
 | 80μ"Min OVER Ni
 | 30μ"Min.
 Packing Option:
 2=Tray Packing
 3=Bag Packing

PCB寸法(t=0.8-1.6)
 P. C. BOARD Layout

3					
2	112-1031-001	插针 Contact	黄铜 Brass	n×1	电镀(锡): 整个表面镀底镍30u"MIN,再镀锡80u"MIN.
1	132-1031-001	基板 Wafer	PA66(UL94V-0)	1	
序号	图号	名称	材料	数量	附注
GENERAL TOLERANCES		DRAWN BY	赵博博/2017.02.18		
0.X	±0.25	X.°	±3°	CHK. BY 崔华文/2017.02.18	
0.XX	±0.12	APRV. BY 洪新江/2017.02.18			
0.XXX	±0.05	X.X°	±0.5°	SHEET 2 OF 2	
UNIT	SIZE	SCALE	DRAWING NO. 006-1031-001		
MM	A4	1:1	PART NO. 61031-**22-1001		
			TITLE 2.0 WTB CONN. DIP DUAL ROW VERTICAL		

新富尔电子有限公司
 XINFUER ELECTORN CO.,LTD
 PROD. NAME PHD-2XnA(6-20P)

借用登记
 旧底图总号
 底图总号
 签字
 日期