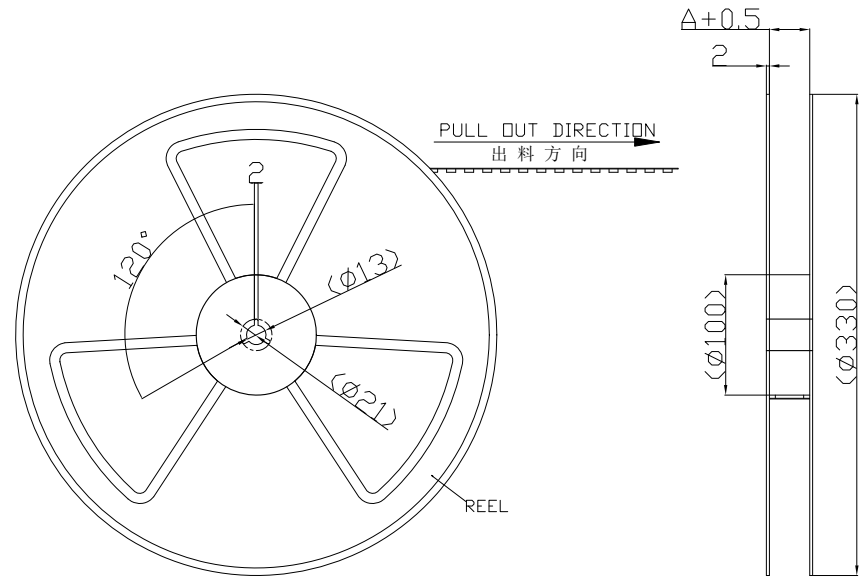
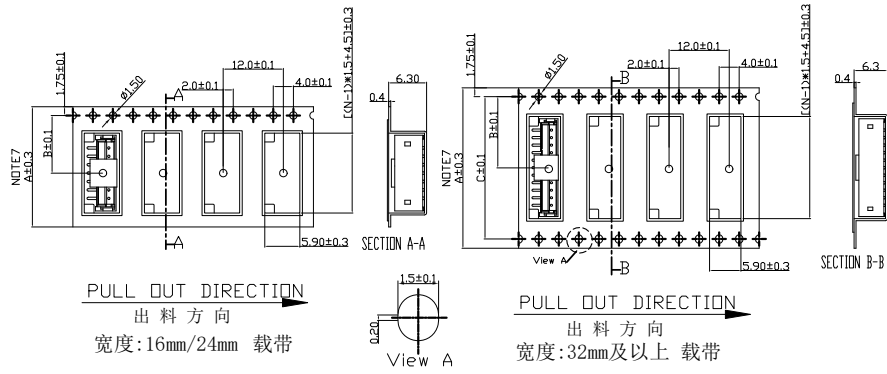
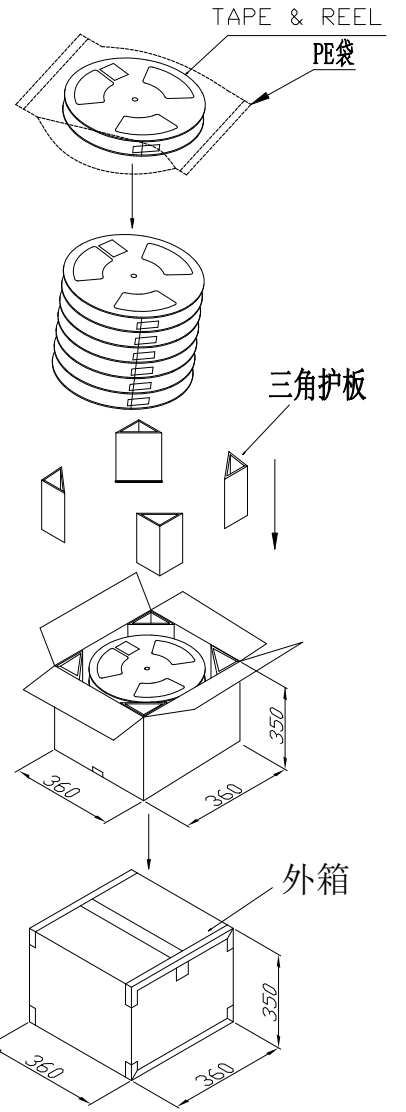
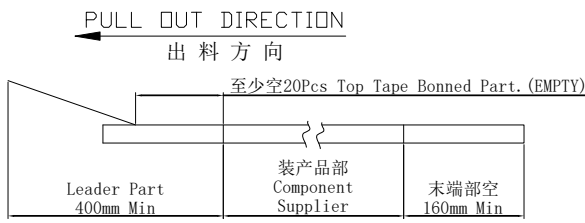


REV.	DESCRIPTION	DATE
?B/0	升 B 版	2017.02.07



- Note:
- 1.Sprocket holes pitch cumulative tolerance ± 0.1 (Accumulative Pitch ± 0.2)
 - 2.Carrier camber is within 1mm in 100mm.
 - 3.All dimensions meet EIA-481-D requirements.
 - 4.Thick ness: 0.4 ± 0.1 mm.
 - 5.Material of top fape: PET, PE, PEF
 - 6.Material of carrier fape: Poystyrene
 - 7.For tape width (dimension A) 16mm and 24mm a pilot hole is provided on one side. For tape width (dimension A) 32mm and 44mm pilot holes are provided on both sides.



载带上下带剥离强度: 0.1N--1.0N (10g--100g)
Peeling off force of top tape:
0.1N--1.0N (10g--100g)

借用登记
旧底图总号
底图总号
芯数
签 字
日期

A	芯数 Pin (n)	PART NO.	尺寸 Size	PART No.	61028-**0*-****	GENERAL TOLERANCES	DRAWN BY	赵博博/2017.02.07	新富尔电子有限公司 XINFUER ELECTORN CO.,LTD		
	2	61028-020*-****	16.0 7.5 --	REEL WIDTH	16 24 32 44	0.X ± 0.25 X. $^{\circ}$ $\pm 3^{\circ}$	CHK. BY	崔华文/2017.02.07			
	3-7	61028-030*-****---61028-070*-****	24.0 11.5 --	PCS/REEL	1000	0.XX ± 0.12	APRV. BY	洪新江/2017.02.07	SHEET	PROD. NAME	ZH-nAB-***
	8-11	61028-080*-****---61028-110*-****	32.0 14.2 28.4	REEL/BOX	16 12 9 7	0.XXX ± 0.05 X.X. $^{\circ}$ $\pm 0.5^{\circ}$	DRAWING NO.	004-1028-001	1 OF 1	PART NO.	61028-**0*-****
	12-15	61028-120*-****---61028-150*-****	44.0 20.2 40.4	BOX/PCS	16K 12K 9K 7K	UNIT SIZE SCALE			TITLE	1.5 WTB CONN. SMT SINGLE ROW RIGHT-ANGLE CONTACT	
				CTN. SIZE	360*360*350	MM A4 1:1					