

REV.	DESCRIPTION	DATE
升级版	新版发行	2017.02.07
B/1	修正 PCB寸法	2017.06.26

- NOTES:
- MATERIAL SEE TABLE;
 - PLATING SEE TABLE;
 - RATING
 - 3-1. OPERATING TEMPERATURE: -25~85°C
 - 3-2. OPERATING VOLTAGE: 250V AC/DC
 - 3-3. CURRENT RATING: 1.5 AMPS(26#)
 - 3-4. DIELECTRIC WITHSTANDING VOLTAGE: 1000V AC/Minute;
 - 3-5. INSULATION RESISTANCE: 1000MΩ Min;
 - 3-6. CONTACT RESISTANCE: 0.03Ω Max;

4. PART NO.
61028-**01-5001

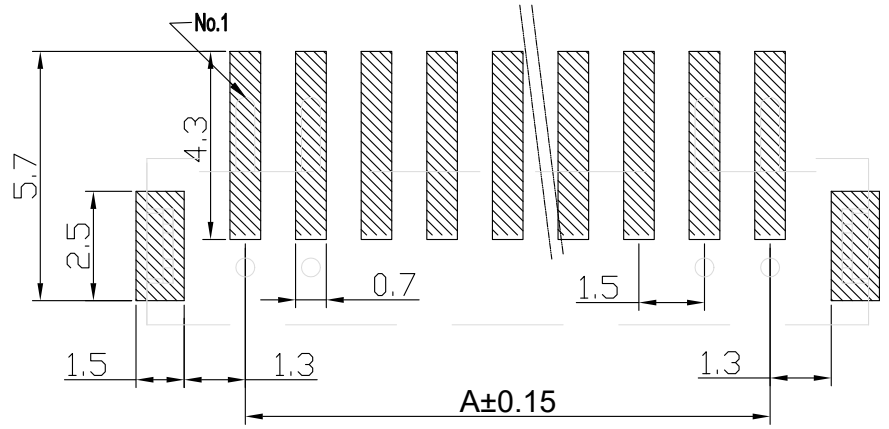
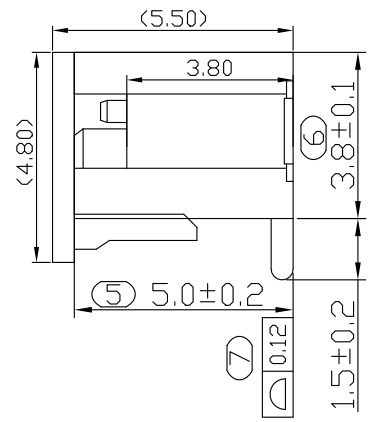
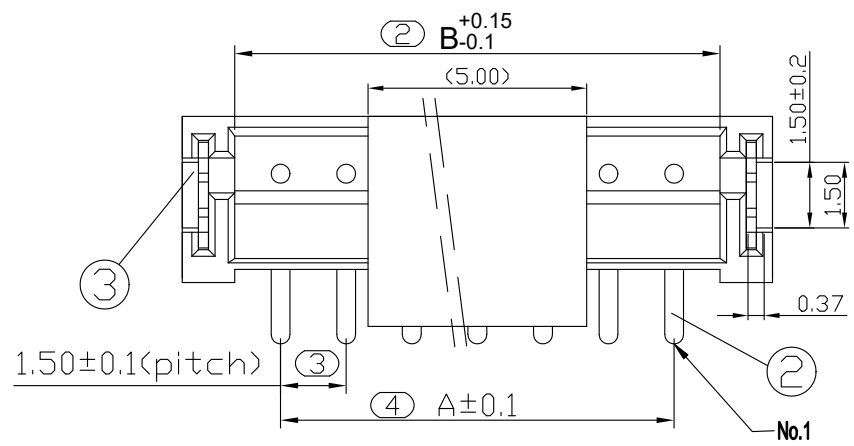
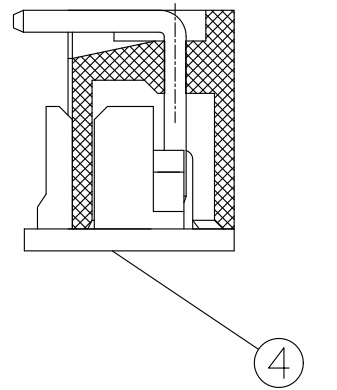
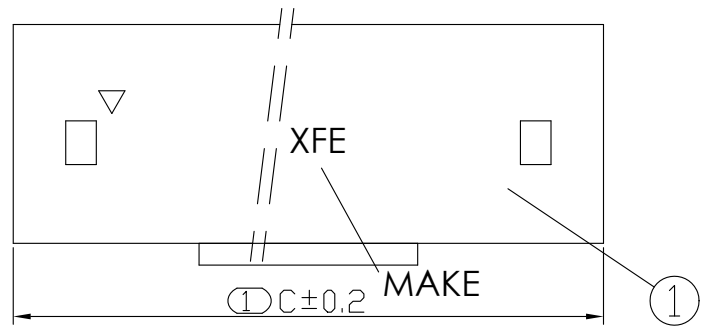
SERIES: Lead Free & HF
 5=Halogen-Free

CIRCUIT NO. 02-16

Packing Option:
0=Reel Packing

Plating:
1=BRIGHT-TIN 80μ"Min
OVER Ni 30μ"Min..

CKT	dim A	dim B	dim C
2	1.5	3.5	6
3	3	5	7.5
4	4.5	6.5	9
5	6	8	10.5
6	7.5	9.5	12
7	9	11	13.5
8	10.5	12.5	15
9	12	14	16.5
10	13.5	15.5	18
11	15	17	19.5
12	16.5	18.5	21
13	18	20	22.5
14	19.5	21.5	24
15	21	23	25.5
16	22.5	24.5	27



序号	图号	名称	材料	数量	附注
4	152-1028-001	盖子CAP	PA9T(UL94V-0)	1	本色
3	122-1027-001	焊片 Fitting Nail	磷青铜 Phosphor Bronze	2	电镀(锡): 整个表面镀底镍30u"MIN,再镀锡80u" MIN.
2	112-1028-001	圆钉	黄铜	n×1	电镀(锡): 整个表面镀底镍30u"MIN,再镀锡80u" MIN.
1	132-1027-001	基座 Wafer	LCPI(UL94V-0)	1	本色

GENERAL TOLERANCES			DRAWN BY	赵博博/2017.06.25	 新富尔电子有限公司 XINFUER ELECTORN CO.,LTD			
0.X	±0.25	X.°	±3°	CHK. BY		崔华文/2017.06.25		
0.XX	±0.12			APRV. BY		洪新江/2017.06.25		
0.XXX	±0.05	X.X°	±0.5°	DRAWING NO.		SHEET	PROD. NAME	ZH-nAB
UNIT	SIZE	SCALE	DRAWING NO.		1 OF 1	PART NO.		61028-**01-5001
MM	A4	1:1	006-1028-001		TITLE			
1.5 WTB CONN. SMT SINGLE ROW VERTICAL								

ZH-nAB
PCB寸法
PCB Layout

借用登记

旧底图总号

底图总号

签字

日期