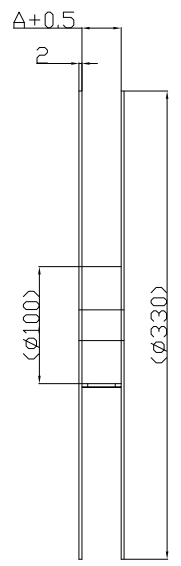
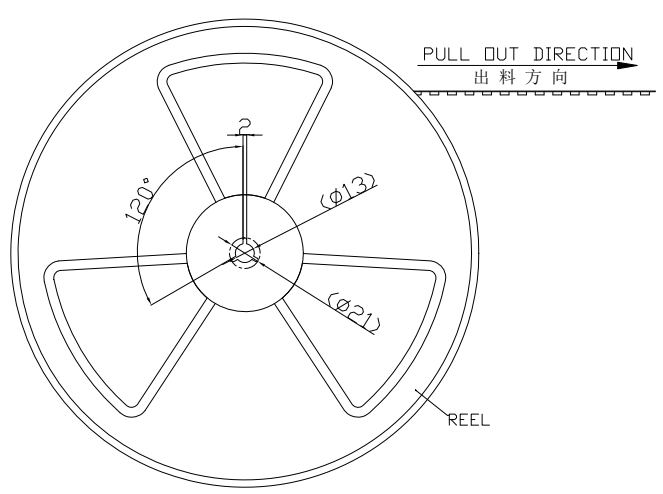
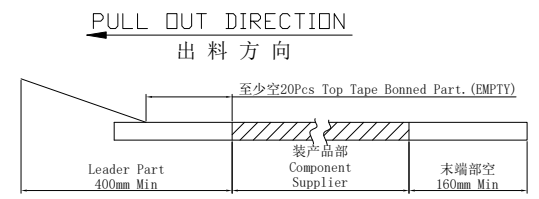


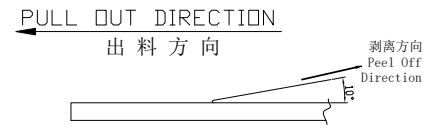
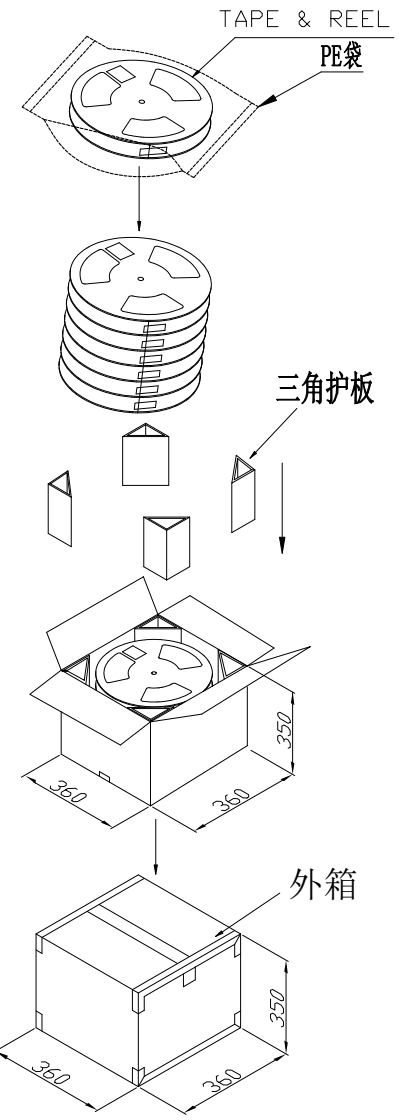
REV.	DESCRIPTION	DATE
B/0	升B版	2016.12.29



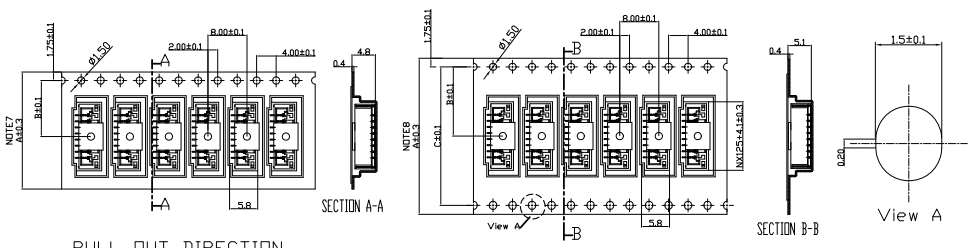
Note:
 1.Sprocket holes pitch cumulative tolerance ± 0.1 (Accumulative Pitch ± 0.2)
 2.Carrier camber is within 1mm in 100mm.
 3.All dimensions meet EIA-481-D requirements.
 4.Thick ness:0.4 \pm 0.1mm.
 5.Material of top fape:PET,PE,PEF
 6.Material of carrier fape:Poystyrene
 7.For tape width (dimension A) 16mm and 24mm a pilot hole is provided on one side. For tape width (dimension A)32mm and 44mm pilot holes are provided on both sides.



载带带头及带尾尺寸
Lead tape length



载带上下带剥离强度: 0.1N--1.3N(10g-130g)
 Peeling off force of top tape:
 0.1N--1.3N(10g-130g)



宽度:16mm/24mm 载带

宽度:32mm及以上 载带

借用登记
旧底图总号
底图总号

芯数
Pin (n)
02-04
03 (格康专用)
05-09
04 (长江专用)
10-13
14-20

PART NO.

尺寸 Size

芯数 Pin (n)	PART NO.	A	B	C
02-04	61022-020*-***-61022-040*-***	16.0	7.5	---
03 (格康专用)	61022-0301-1026 (盖子用PA9T本色)	16.0	7.5	---
05-09	61022-050*-***-61022-090*-***	24.0	11.5	---
04 (长江专用)	61022-0401-1074	24.0	11.5	---
10-13	61022-100*-***-61022-130*-***	32.0	14.2	28.4
14-20	61022-140*-***-61022-200*-***	44.0	20.2	40.4

PART No.	61022-**0*-***			
REEL WIDTH	16	24	32	44
PCS/REEL	1500			
REEL/BOX	16	12	9	7
BOX/PCS	24K	18K	13.5K	10.5K
CTN. SIZE	360*350*350			

GENERAL TOLERANCES			DRAWN BY	赵博博/2016.12.29
0.X	± 0.25	X. $^{\circ}$	$\pm 3^{\circ}$	CHK. BY
0.XX	± 0.12			崔华文/2016.12.29
0.XXX	± 0.05	X.X. $^{\circ}$	$\pm 0.5^{\circ}$	APRV. BY
				洪新江/2016.12.29

UNIT	SIZE	SCALE	DRAWING NO.
MM	A4	1:1	
			004-1022-002

ZJ XFE 新富尔电子有限公司
XINFUER ELECTORN CO.,LTD

SHEET 2 OF 2
 PROD. NAME GH-nAB
 PART NO. 61022-**0*-***

TITLE
 1.25 WTB CONN. SMT SINGLE ROW VERTICAL