

0 9 8 7 6 5 4 3 2 1

F

E

D

C

B

A

借用登记

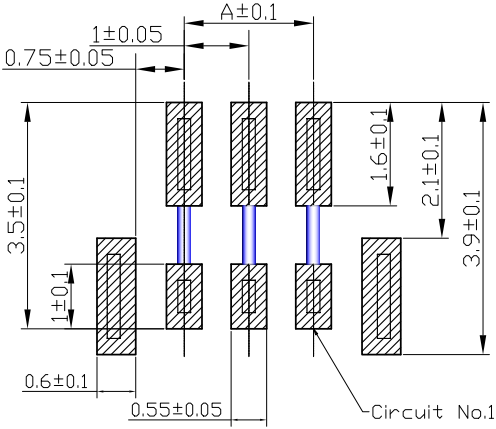
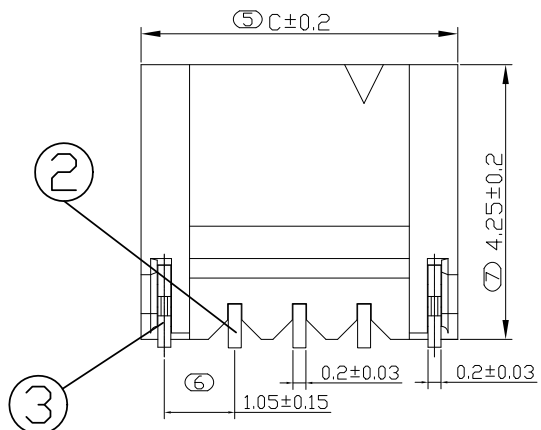
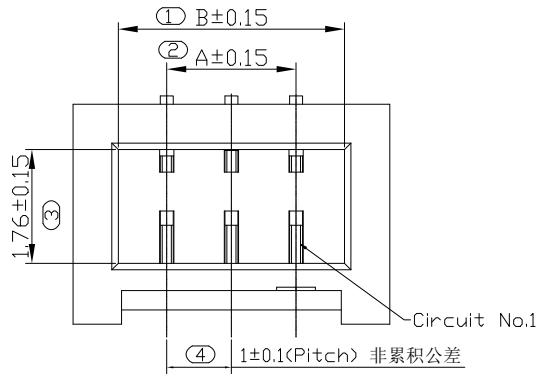
旧底图总号

底图总号

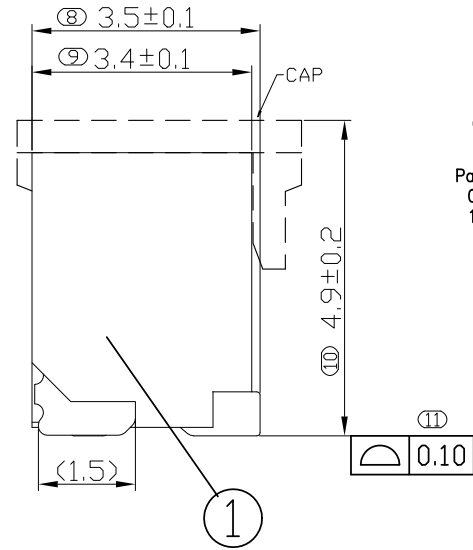
签字

日期

REV.	DESCRIPTION	DATE
B/0	升 B 版	2017.01.20



PCB 寸法  
PCB Layout



NOTES:  
1. MATERIAL SEE TABLE;  
2. PLATING SEE TABLE;  
3. RATING  
3-1. OPERATING TEMPERATURE:-25~85°C  
3-2. OPERATING VOLTAGE: 150V AC/DC  
3-3. CURRENT RATING: 1.0 AMPS  
3-4. DIELECTRIC WITHSTANDING VOLTAGE:  
500V AC/Minute;  
3-5. INSULATION RESISTANCE:100MΩ Min;  
3-6. CONTACT RESISTANCE:0.03Ω Max;  
4. PART NO.  
61012-xx02-5004  
SERIES  
CIRCUIT NO.  
Packing Option:  
0=Reel Packing  
1=Tube Packing  
Lead Free & HF  
5=Halogen-Free  
Plating:  
2=MATTE-TIN 80μ"Min  
OVER Ni 30μ"Min..

CKT	Dim A	Dim B	Dim C
2	1.0	2.5	3.9
3	2.0	3.5	4.9
4	3.0	4.5	5.9
5	4.0	5.5	6.9
6	5.0	6.5	7.9
7	6.0	7.5	8.9
8	7.0	8.5	9.9
9	8.0	9.5	10.9
10	9.0	10.5	11.9
11	10.0	11.5	12.9
12	11.0	12.5	13.9
13	12.0	13.5	14.9
14	13.0	14.5	15.9
15	14.0	15.5	16.9
16	15.0	16.5	17.9
17	16.0	17.5	18.9
18	17.0	18.5	19.9
19	18.0	19.5	20.9
20	19.0	20.5	21.9

序号	图号	名称	材料	数量	附注
4	172-1012-001	盖子	LCP (UL94V-0)	1	本色
3	122-1012-001	焊片 Fitting Nail	磷青铜 Phosphor Bronze	2	电镀: 整个表面镀镍30u"MIN, 再镀锡 80u"MIN..
2	112-1012-001	端子 Contact	磷青铜 Phosphor Bronze	n x 1	电镀: 整个表面镀镍30u"MIN, 再镀锡 80u"MIN..
1	132-1012-002	基板 Wafer	LCP (UL94V-0)	1	本色

GENERAL TOLERANCES		DRAWN BY	赵博博/2017.01.20		 <b>新富尔电子有限公司</b> XINFUER ELECTORN CO.,LTD				
0.X	±0.25	X.°	±3°	CHK. BY		崔华文/2017.01.20			
0.XX	±0.12			APRV. BY		洪新江/2017.01.20			
0.XXX	±0.05	X.X°	±0.5°	DRAWING NO.		SHEET	PROD. NAME	1. 0TB-nAB-DK2-LCP	
UNIT	SIZE	SCALE	DRAWING NO.		1 OF 1	PART NO.		61012-**02-5004	
MM	A4	1:1	006-1012-005		TITLE		1.0 WTB CONN. SMT SINGLE ROW VERTICAL		