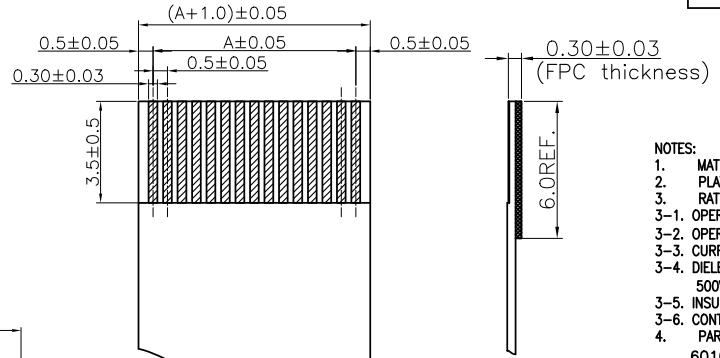
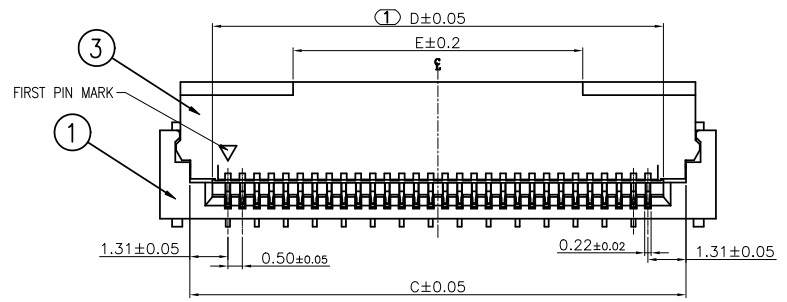
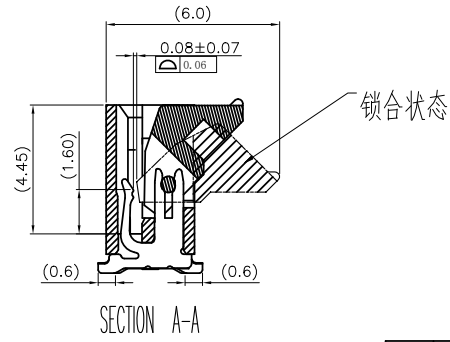
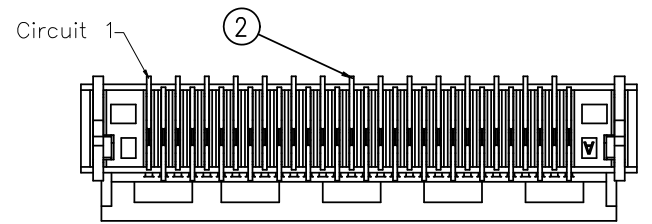
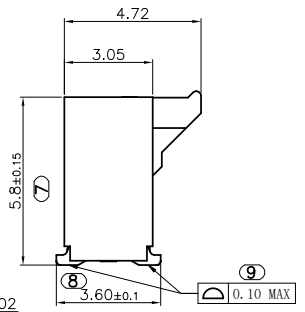
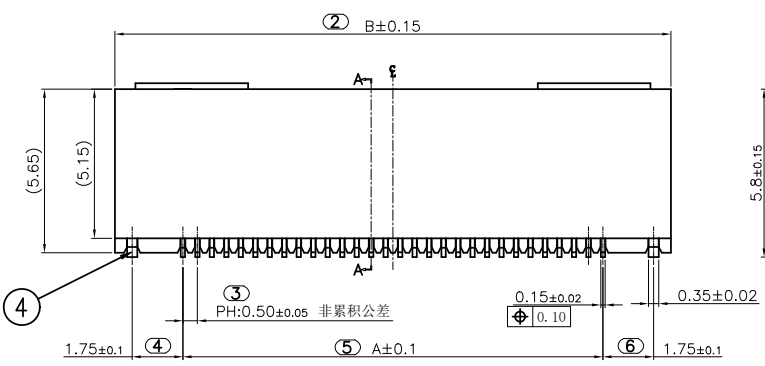


REV.	DESCRIPTION	DATE
A/0	升B版	2016.12.10



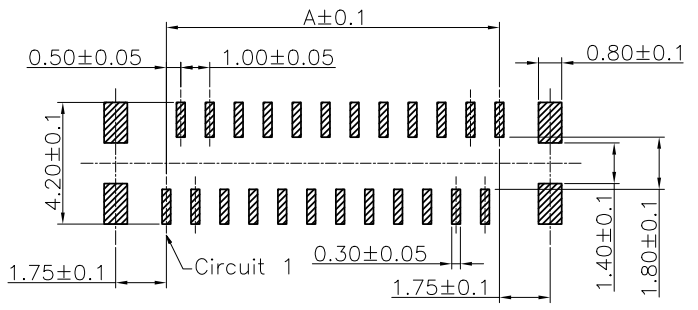
NOTES:  
 1. MATERIAL SEE TABLE;  
 2. PLATING SEE TABLE;  
 3. RATING  
 3-1. OPERATING TEMPERATURE: -40~105°C  
 3-2. OPERATING VOLTAGE: 50V AC/DC  
 3-3. CURRENT RATING: 0.5 AMPS  
 3-4. DIELECTRIC WITHSTANDING VOLTAGE: 500V AC/Minute;  
 3-5. INSULATION RESISTANCE: 500MΩ Min;  
 3-6. CONTACT RESISTANCE: 0.03Ω Max;  
 4. PART NO.  
 60103-\*\*07-5001  
 SERIES: Lead Free & HF, 5=Halogen-Free  
 CIRCUIT NO. Plating: 7=Contact area and Solder tails area Gold Plating 1μ" Min. Over Ni 30μ" Min.  
 Packing Option:  
 0=Reel Packing  
 1=Tube Packing

适用FPC尺寸  
 APPLICABLE FPC



CKT	Dim A	Dim B	Dim C	Dim D	Dim E
10	4.50	9.20	7.12	5.56	5.2
12	5.50	10.20	8.12	6.56	5.2
14	6.50	11.20	9.12	7.56	5.2
20	9.50	14.20	12.12	10.56	8.0
24	11.50	16.20	14.12	12.56	10.0
30	14.50	19.20	17.12	15.56	10.0
36	17.50	22.20	20.12	18.56	10.0
40	19.50	24.20	22.12	20.56	10.0
50	24.50	29.20	27.12	25.56	10.0
60	29.50	34.20	32.12	30.56	10.0
70	34.50	39.20	37.12	35.56	10.0

借用登记  
 旧底图总号  
 底图总号  
 签字  
 日期



适用线路板  
 RECOMMENDED PCB LAYOUT

序号	图号	名称	材料	数量	附注
4	122-0095-001	顶针 Filling Nail	磷青铜 Phosphor Bronze T=0.35mm	2	电镀: 整个表面镀30u"MIN, 焊盘镀80u"MIN.
3	142-0103-001	铆 Actuator	LCPI(U.94V-0)	1	黑色
2	112-0095-001	端子 Contact	磷青铜 Phosphor Bronze T=0.15mm	n	电镀: 整个表面镀30u"MIN, 焊盘镀80u"MIN.
1	132-0103-001	封装 Housing	LCPI(U.94V-0)	1	本色

GENERAL TOLERANCES		DRAWN BY 赵博博/2016.12.10		新富尔电子有限公司 XINFUER ELECTORN CO.,LTD	
0.X ±0.25	X.° ±3°	CHK. BY 崔华文/2016.12.10	APRV. BY 洪新江/2016.12.10		
0.XX ±0.12		DRAWING NO. 006-0103-001		SHEET 1 OF 1	PROD. NAME 0.5-27-nPLB
0.XXX ±0.05	X.X° ±0.5°	UNIT MM SIZE A4 SCALE 1:1		PART NO. 60103-**07-5001	
TITLE 0.5 FPC CONN. ZIF SMT FRONTFLIP H=4.72 VERTICAL CONTACT					