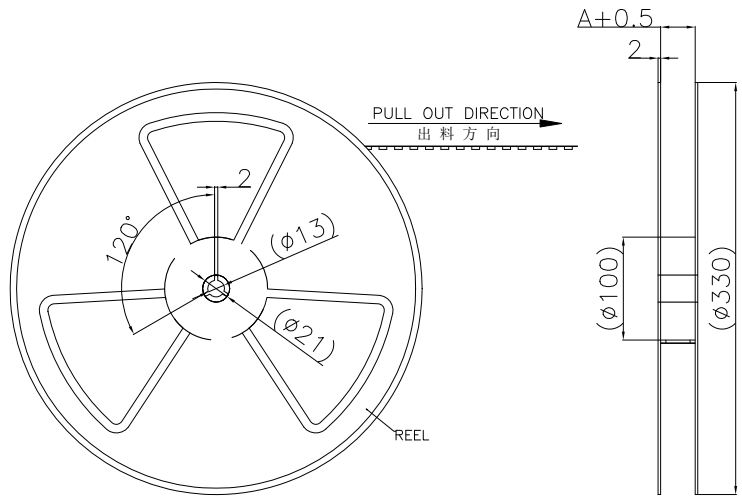
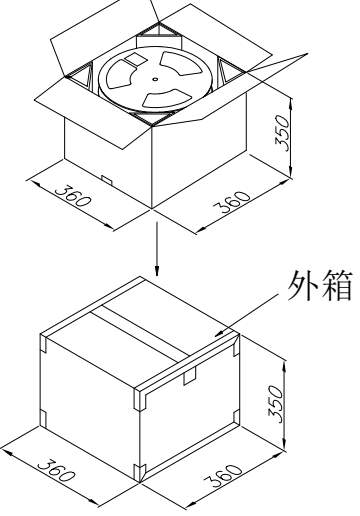
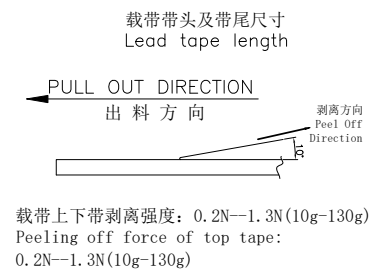
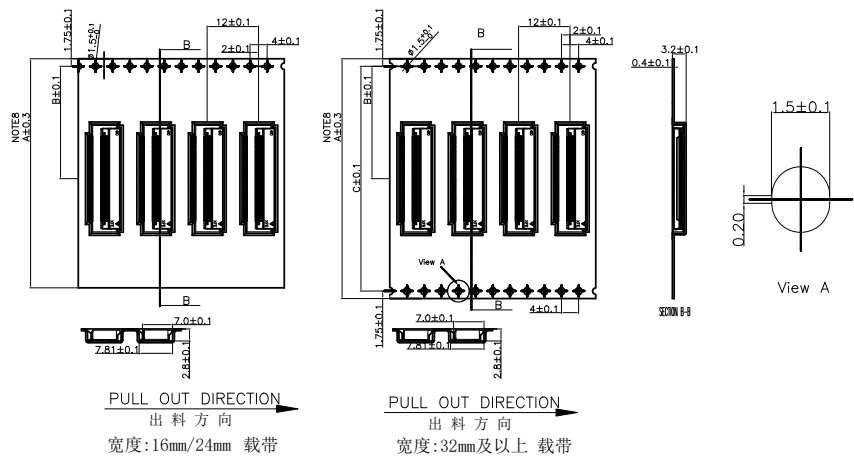
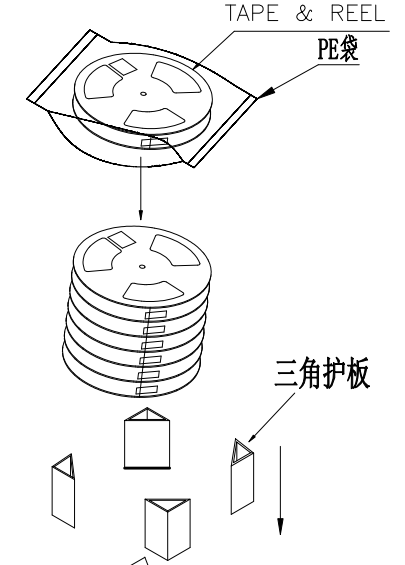
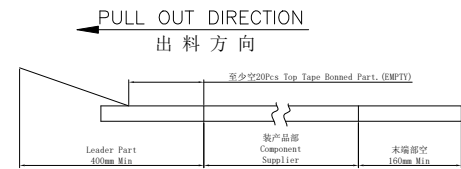


REV.	DESCRIPTION	DATE
B/0		2016.12.10



- Note:
- Sprocket holes pitch cumulative tolerance ± 0.1 . (Accumulative Pitch ± 0.2)
 - Carrier camber is within 1mm in 100mm.
 - Number of connectors: 2000Pcs/REEL
 - All dimensions meet EIA-481-D requirements.
 - Thick ness: 0.4 ± 0.1 mm.
 - Material of top fape: PET, PE, PEF
 - Material of carrier fape: Poystyrene
 - For tape width (dimension A) 16mm and 24mm a pilot hole is provided on one side. For tape width (dimension A) 32mm and 44mm pilot holes are provided on both sides.



- ROHS管理规定:
- 禁止使用含有ROHS指令所限制的物质。
 - 对应的SGS或ITS出具的ICP-AES数据、不可测定物质的成分表，有效期一年。

借用登记
旧底图总号
底图总号

签 字
日 期

芯数 Pin (n)	PART NO.	尺寸 Size		
		A	B	C
9-20	60094-090*-5001---60094-200*-5001	24.0	11.5	---
24-30	60094-240*-5001---60094-300*-5001	32.0	14.2	28.4
40-51	60094-400*-5001---60094-510*-5001	44.0	20.2	40.4
60	60094-600*-5001	56.0	26.2	52.4

PART No.	60094-**-5001			
REEL WIDTH	24	32	44	56
PCS/REEL	2000			
REEL/BOX	12	9	7	5
BOX/PCS	24K	18K	14K	10K
CTN. SIZE	360*360*350			

GENERAL TOLERANCES		
0.X	± 0.25	X.X° $\pm 3^\circ$
0.XX	± 0.12	
0.XXX	± 0.05	X.X° $\pm 0.5^\circ$
UNIT	SIZE	SCALE
MM	A4	1:1

DRAWN BY	赵博群/2016.12.10
CHK. BY	崔华文/2016.12.10
APRV. BY	洪新江/2016.12.10
DRAWING NO.	004-0094-001

ZIF XFE 新富尔电子有限公司
XINFUER ELECTORN CO.,LTD

SHEET 1 OF 1
PROD. NAME 0.5-26-nPBX
PART NO. 60094-**-5001

TITLE
0.5 FPC CONN. ZIF SMT FRONTFLIP H=2.5 DOUBLE LOWER CONTACT