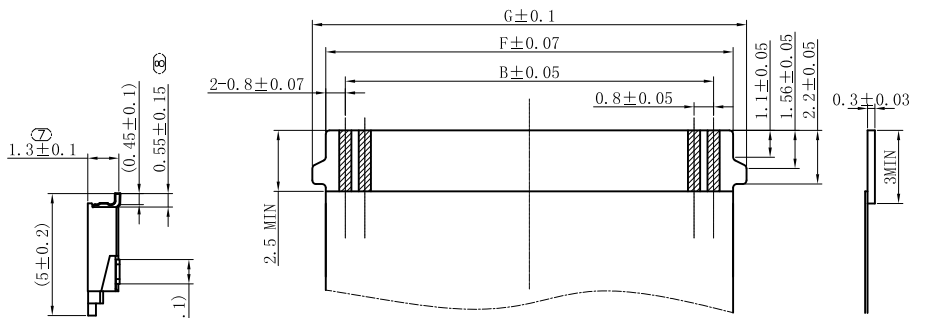
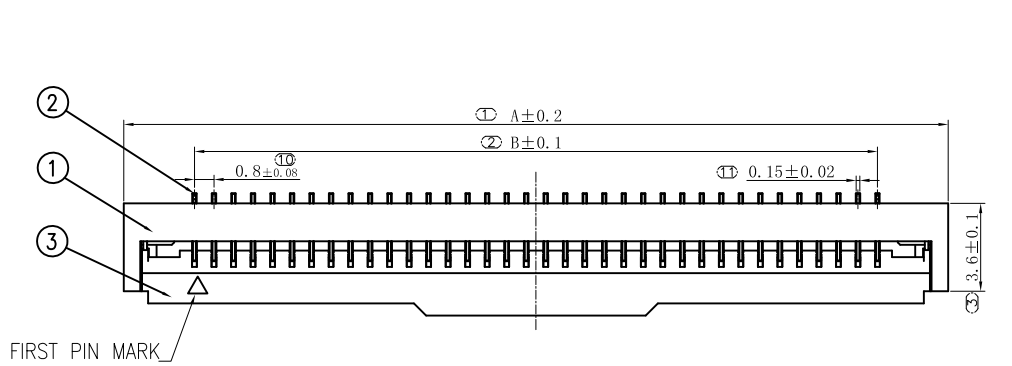
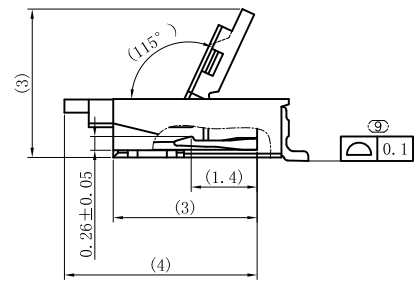


REV.	DESCRIPTION	DATE
B/0	升 B 版	2017.01.09

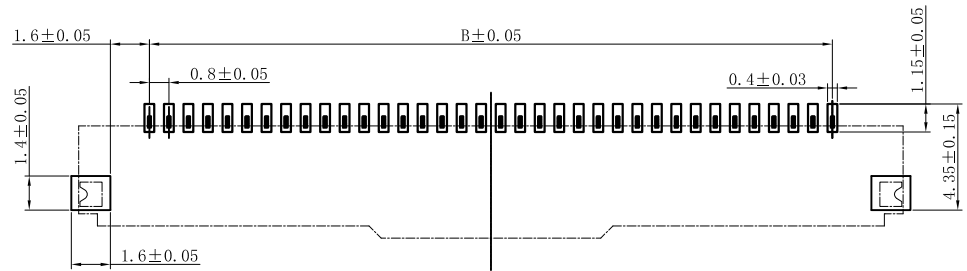
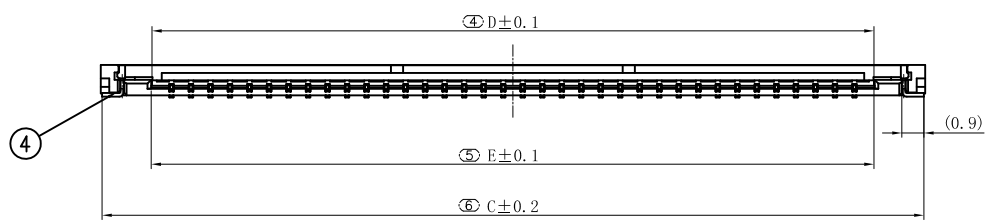


通用FPC寸法
APPLICABLE FPC

- NOTES:
- MATERIAL SEE TABLE;
 - PLATING SEE TABLE;
 - RATING
 - 3-1. OPERATING TEMPERATURE: -40~85°C
 - 3-2. OPERATING VOLTAGE: 50V AC/DC
 - 3-3. CURRENT RATING: 0.5 AMPS
 - 3-4. DIELECTRIC WITHSTANDING VLTAGE: 500V AC/Minute;
 - 3-5. INSULATION RESISTANCE:500MΩ Min;
 - 3-6. CONTACT RESISTANCE:0.03Ω Max;
 - PART NO. 60092-**0C-5001
 - SERIES
 - CIRCUIT NO.
 - Packing Option: 0=Reel Packing, 1=Tube Packing, 2=Tray Packing, 3=Bag Packing
 - Lead Free & HF
 - 1&2=Lead Free
 - 5&6=Halogen-Free
 - Plating: 7=Contact area and Solder tails area Gold Plating 3" Min. Over Ni 30" Min.



SCALE 2 : 1



通用线路板
RECOMMENDED PCB LAYOUT

POS.	DIM.A	DIM.B	DIM.C	DIM.D	DIM.E	DIM.F	DIM.G
04	8.20	2.40	8.10	4.05	4.10	4.00	5.10
32	30.60	24.80	30.50	26.45	26.50	26.40	27.50
36	33.80	28.00	33.70	29.65	29.70	29.60	30.70

序号	图号	名称	材料	数量	附注
4	122-0092-001	焊片 Fitting Nail	磷青铜 Phosphor Bronze	2	电镀(金): 整片GOLD FLASH
3	142-0092-001	锁扣 Actuator	LCPI(UL94V-0)	1	黑色
2	112-0014-001	端子 Contact	磷青铜 Phosphor Bronze	n	电镀(金): 接触点镀金5"MIN,其他镀金GOLD FLASH
1	132-0092-001	基板 Housing	LCPI(UL94V-0)	1	桔

GENERAL TOLERANCES			DRAWN BY	新富尔电子有限公司 XINFUER ELECTORN CO.,LTD	
0.X	±0.25	X.° ±3°	赵婷婷/2017.01.09	SHEET 1 OF 1 PART NO. 60092-**0C-5001	
0.XX	±0.12		崔华文/2017.01.09		
0.XXX	±0.05	X.X° ±0.5°	洪新江/2017.01.09		
UNIT	SIZE	SCALE	DRAWING NO.		TITLE
MM	A4	1:1	006-0092-001		0.8 FPC CONN. ZIF SMT FRONTFLIP H=1.3 LOWER CONTACT

借用登记

旧底图总号

底图总号

签字

日期