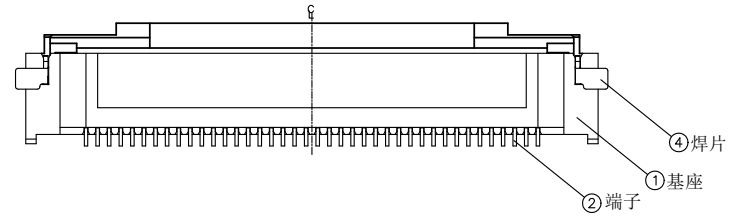
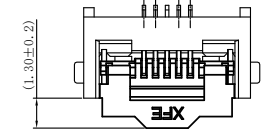
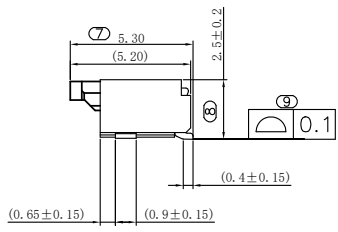
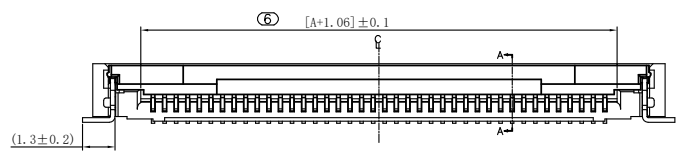
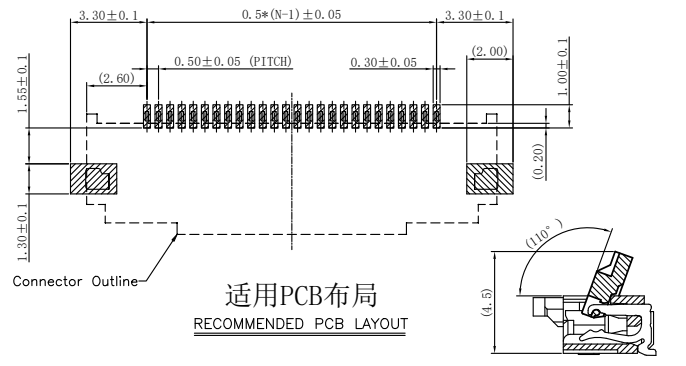
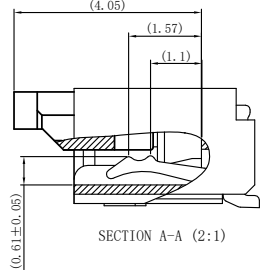
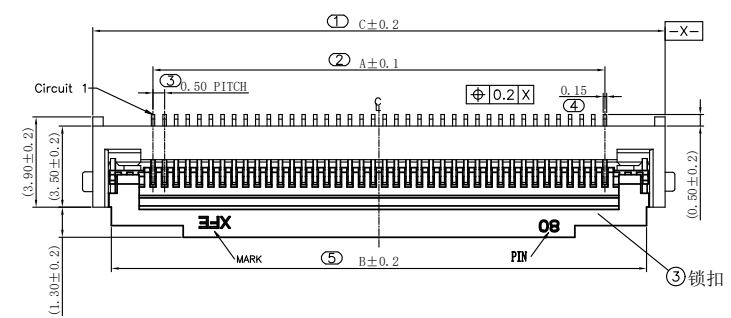


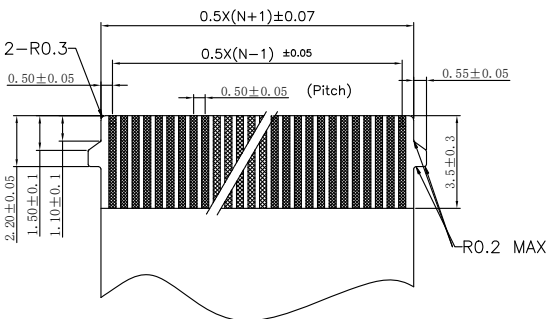
REV.	DESCRIPTION	DATE
A/0	原始版本	2016.12.09
A/1	增加24PIN	2023.03.01
A/2	增加5/30PIN	2023.06.19



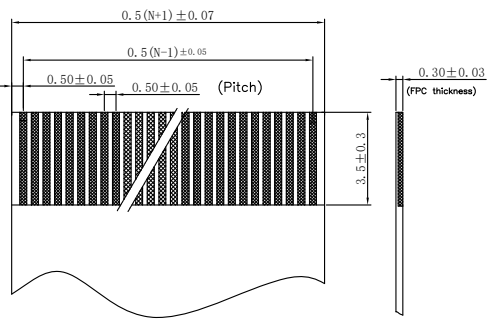
- NOTES:
- MATERIAL SEE TABLE;
 - PLATING SEE TABLE;
 - RATING SEE TABLE;
 - 3-1. OPERATING TEMPERATURE: -40~85°C
 - 3-2. OPERATING VOLTAGE: 50V AC/DC
 - 3-3. CURRENT RATING: 0.5 AMPS
 - 3-4. DIELECTRIC WITHSTANDING VOLTAGE: 125V AC/Minute;
 - 3-5. INSULATION RESISTANCE: 500MΩ Min;
 - 3-6. CONTACT RESISTANCE: 0.035Ω Max;
 - PART NO.

60078-**07-1001
 SERIES: Lead Free & HF, 1=Lead Free
 CIRCUIT NO. Plating: 7=Contact area and Solder tails area Gold
 Packing Option: 0=Reel, 1=Packaging
 Plating: 7=Contact area and Solder tails area Gold
 Plating 1μ" Min. Over Ni 30μ" Min.

CKT	Dim A	Dim B	Dim C
5	2.00	5.60	7.20
8	3.50	7.10	8.70
10	4.50	8.10	9.70
11	5.00	8.60	10.20
14	6.50	10.10	11.70
24	11.50	15.10	16.70
30	14.50	18.10	19.70
40	19.50	23.10	24.70
60	29.50	33.10	34.70
64	31.50	35.10	36.70
68	33.50	37.10	38.70
80	39.50	43.10	44.70



适用FPC寸法(带勾)
 APPLICABLE FPC(+LOCK)



适用FPC寸法
 APPLICABLE FPC

序号	图号	名称	材料	数量	备注
4	122-0078-001	焊片 Fitting Nail	磷青铜 Phosphor Bronze	2	电镀: 整个表面镀镍30u"MIN, 再镀锡 80u"MIN.
3	142-0078-001	锁扣 Actuator	PA9T (UL94V-0)	1	黑色
2	112-0078-001	端子 Contact	磷青铜 Phosphor Bronze	n×1	电镀: 整个表面镀镍30u"MIN, 再镀锡点与焊脚功能区点镀金 1u"MIN.
1	132-0078-001	基座 Housing	LCP (UL94V-0)	1	本色

GENERAL TOLERANCES		DRAWN BY 龚福顺/2023.03.01	新富尔电子有限公司 XINFUER ELECTORN CO.,LTD	
0.X ±0.25	X.* ±3*	CHK. BY 崔华文/2023.03.01		
0.XX ±0.12		APRV. BY 洪新江/2023.03.01	SHEET 1 OF 1	PROD. NAME 0.5-22-nPBX
0.XXX ±0.05	X.X.* ±0.5*	DRAWING NO. 006-0078-001	PART NO. 60078-**07-1001	
UNIT MM	SIZE A4	SCALE 1:1	TITLE 0.5 FPC CONN. ZIF SMT FRONTFLIP H=2.5 DOUBLE LOWER CONTACT	

借用登记
 旧底图总号
 底图总号
 签字
 日期