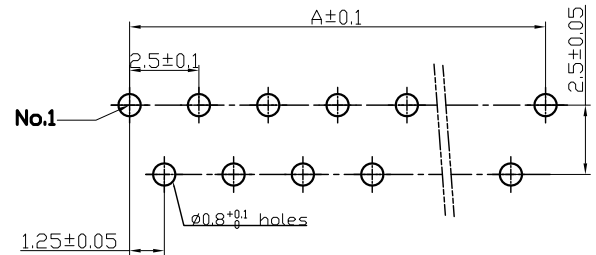
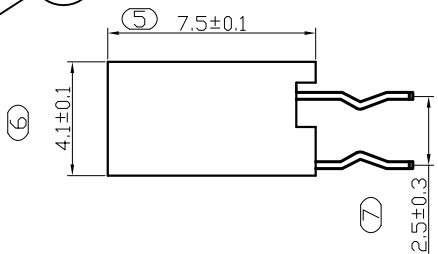
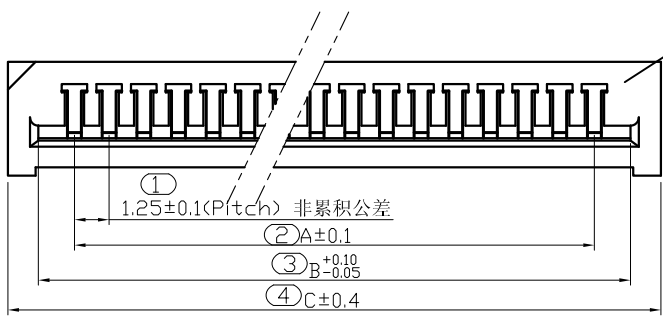
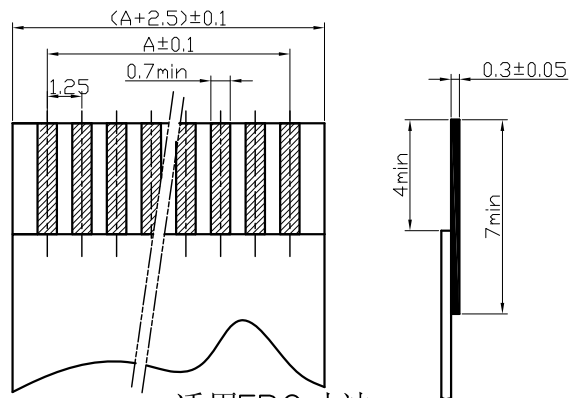
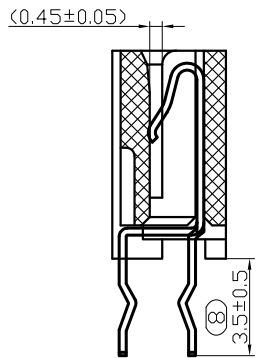
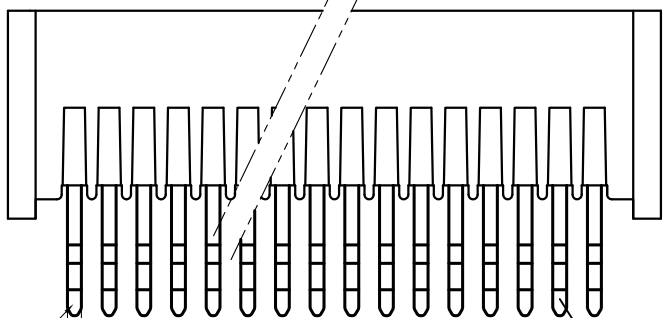


REV.	DESCRIPTION	DATE
B/0	升B版	2017.01.11



适用线路板  
RECOMMENDED PCB LAYOUT



适用FPC寸法  
APPLICABLE FPC

NOTES:  
1. MATERIAL SEE TABLE;  
2. PLATING SEE TABLE;  
3. RATING  
3-1. OPERATING TEMPERATURE: -25~85°C  
3-2. OPERATING VOLTAGE: 200V AC/DC  
3-3. CURRENT RATING: 1.0 AMPS  
3-4. DIELECTRIC WITHSTANDING VOLTAGE:  
500V AC/Minute;  
3-5. INSULATION RESISTANCE: 500MΩ Min;  
3-6. CONTACT RESISTANCE: 0.03Ω Max;  
4. PART NO.  
60074-\*\*11-1001  
SERIES  
CIRCUIT NO. 04-40  
Packing Option:  
1=Tube Packing

Lead Free & HF  
1=Lead Free  
Plating:  
1=BRIGHT-TIN 80μ"Min  
OVER Ni 30μ"Min..

CKT	DimA	DimB	DimC	CKT	DimA	DimB	DimC
4	3.75	6.31	8.55	24	28.75	31.31	33.55
5	5	7.56	9.8	25	30	32.56	34.8
6	6.25	8.81	11.05	26	31.25	33.81	36.05
7	7.5	10.06	12.3	27	32.5	35.06	37.3
8	8.75	11.31	13.55	28	33.75	36.31	38.55
9	10	12.56	14.8	29	35	37.56	39.8
10	11.25	13.81	16.05	30	36.25	38.81	41.05
11	12.5	15.06	17.3	31	37.5	40.06	42.3
12	13.75	16.31	18.55	32	38.75	41.31	43.55
13	15	17.56	19.8	33	40	42.56	44.8
14	16.25	18.81	21.05	34	41.25	43.81	46.05
15	17.5	20.06	22.3	35	42.5	45.06	47.3
16	18.75	21.31	23.55	36	43.75	46.31	48.55
17	20	22.56	24.8	37	45	47.56	49.8
18	21.25	23.81	26.05	38	46.25	48.81	51.05
19	22.5	25.06	27.3	39	47.5	50.06	52.3
20	23.75	26.31	28.55	40	48.75	51.31	53.55
21	25	27.56	29.8				
22	26.25	28.81	31.05				
23	27.5	30.06	32.3				

2	112-0073-001	端子 Contact	磷青铜 Phosphor Bronze	n×1	电镀(锡): 整个表面电镀30u"MIN, 再镀锡 80u"MIN..
1	132-0071-001	基板 Housing	PA46(UL94V-0)	1	纯
序号	图号	名称	材料	数量	附注
GENERAL TOLERANCES		DRAWN BY	赵婷婷/2017.01.11		
0.X	±0.25	X.°	±3°	CHK. BY 崔华文/2017.01.11	
0.XX	±0.12	APRV. BY 洪新江/2017.01.11			
0.XXX	±0.05	X.X°	±0.5°	SHEET PROD. NAME 1.25A-nPLF	
UNIT	SIZE	SCALE	DRAWING NO.	1 OF 1	PART NO. 60074-**11-1001
MM	A4	1:1	006-0074-001	TITLE 1.25 FPC CONN. NON-ZIF DIP H=7.5 VERTICAL	



借用登记  
旧底图总号  
底图总号  
签字  
日期

