

借用登记

旧底图总号

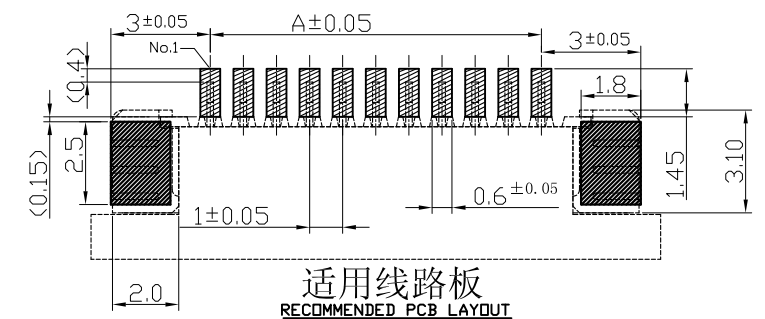
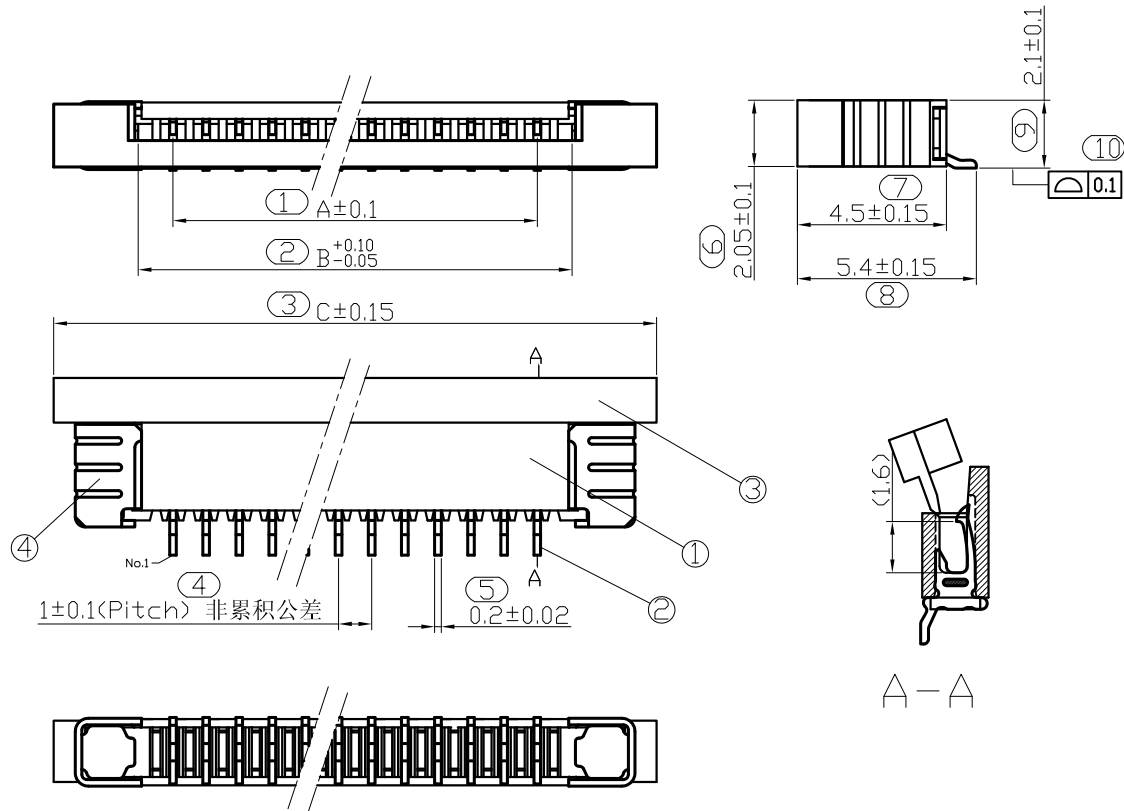
底图总号

签字

日期

0 9 8 7 6 5 4 3 2 1

REV.	DESCRIPTION	DATE
B/0	升B版	2017.01.04



NOTES:

- MATERIAL SEE TABLE;
- PLATING SEE TABLE;
- RATING
- 3-1. OPERATING TEMPERATURE: $-25 \sim 85^{\circ}\text{C}$
- 3-2. OPERATING VOLTAGE: 50V AC/DC
- 3-3. CURRENT RATING: 1.0 AMPS
- 3-4. DIELECTRIC WITHSTANDING VOLTAGE: 500V AC/Minute;
- 3-5. INSULATION RESISTANCE: 500MΩ Min;
- 3-6. CONTACT RESISTANCE: 0.03Ω Max;
- PART NO. 60049-***01-5001
- SERIES: Lead Free & HF, 5=Halogen-Free
- CIRCUIT NO.
- Plating: 1=BRIGHT-TIN, 80μ" Min OVER Ni, 30μ" Min..
- Packing Option: 0=Reel Packing

CKT	Dim A	Dim B	Dim C
2	1	3.06	8.2
3	2	4.06	9.2
4	3	5.06	10.2
5	4	6.06	11.2
6	5	7.06	12.2
7	6	8.06	13.2
8	7	9.06	14.2
9	8	10.06	15.2
10	9	11.06	16.2
11	10	12.06	17.2
12	11	13.06	18.2
13	12	14.06	19.2
14	13	15.06	20.2
15	14	16.06	21.2
16	15	17.06	22.2
17	16	18.06	23.2
18	17	19.06	24.2
19	18	20.06	25.2

序号	图号	名称	材料	数量	附注
4	122-0001-001	焊片 Fitting Nail	磷青铜 Phosphor Bronze	2	电镀(锡): 整个表面镀底镍30u"MIN,再镀锡80u"MIN.
3	142-0001-001	微动 Actuator	LCP (UL94V-0)	1	本色
2	112-0049-001	端子 Contact	磷青铜 Phosphor Bronze	n×1	电镀(锡): 整个表面镀底镍30u"MIN,再镀锡80u"MIN.
1	132-0001-001	基座 Housing	LCP (UL94V-0)	1	本色

适用FPC寸法
APPLICABLE FPC

GENERAL TOLERANCES

0.X ±0.25 X.° ±3°

0.XX ±0.12

0.XXX ±0.05 X.X° ±0.5°

DRAWN BY 赵婷婷/2017.01.04

CHK. BY 崔华文/2017.01.04

APRV. BY 洪新江/2017.01.04

DRAWING NO. 006-0049-003

SHEET 1 OF 2

PROD. NAME 1.0C-nPBS-AL(2-19PIN)

PART NO. 60049-***01-5001

TITLE 1.0 FPC CONN. ZIF SMT DRAWER H=2.0 UPPER CONTACT

新富尔电子有限公司
XINFUER ELECTORN CO.,LTD

0 9 8 7 6 5 4 3 2 1

