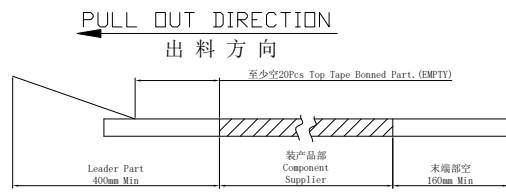
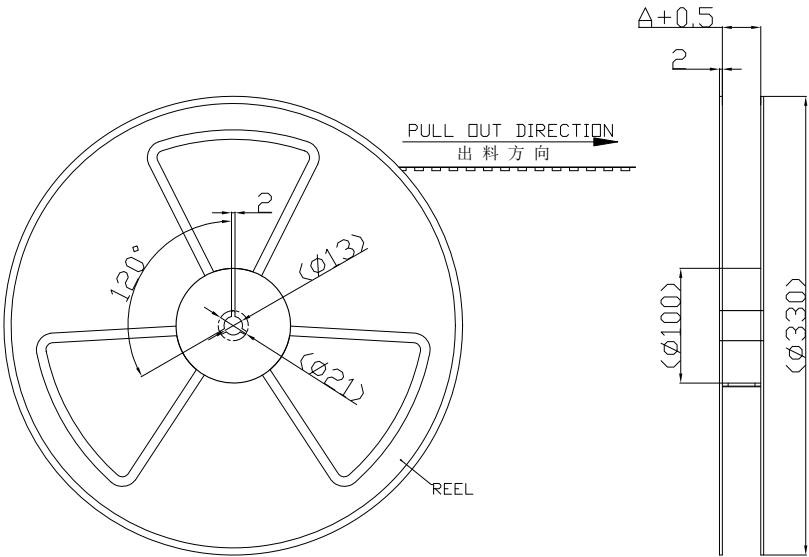
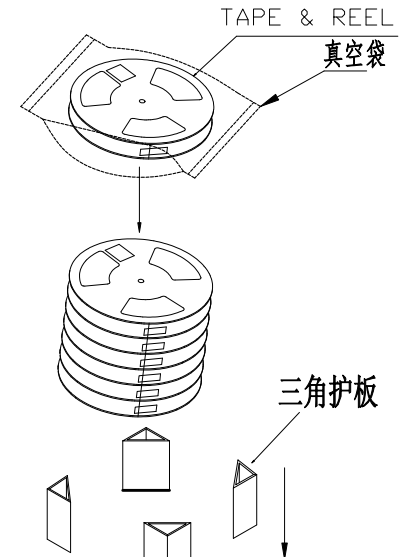


REV.	DESCRIPTION	DATE
B/0	升B版	2017.01.04

- Note:
- 1.Sprocket holes pitch cumulative tolerance  $\pm 0.1$ . (Accumulative Pitch  $\pm 0.2$ )
  - 2.Carrier camber is within 1mm in 100mm.
  - 3.All dimensions meet EIA-481-D requirements.
  - 4.Thick ness:  $0.4 \pm 0.1$ mm.
  - 5.Material of top fape: PET, PE, PEF
  - 6.Material of carrier fape: Poystyrene
  - 7.For tape width (dimension A) 16mm and 24mm a pilot hole is provided on one side. For tape width (dimension A) 32mm and 44mm pilot holes are provided on both sides.



载带带头及带尾尺寸  
Lead tape length



载带上下带剥离强度: 0.1N--1.3N(10g-130g)  
Peeling off force of top tape:  
0.1N--1.3N(10g-130g)

