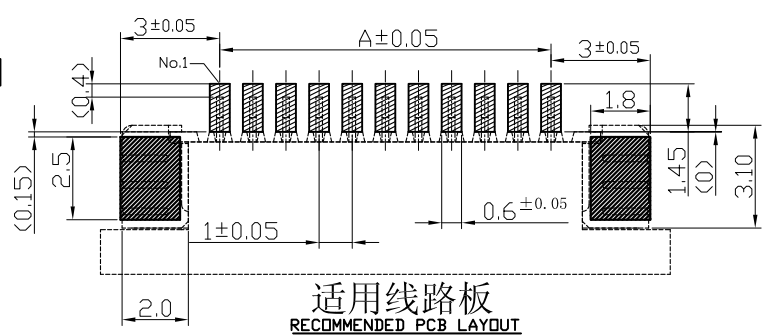
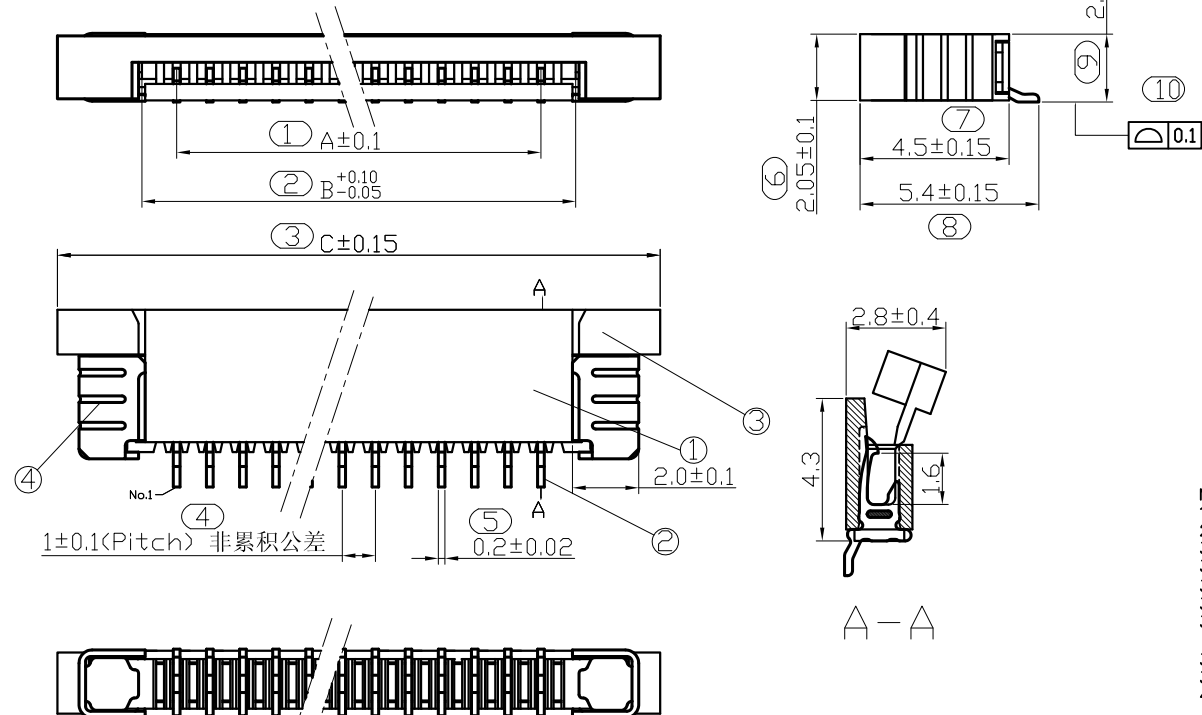


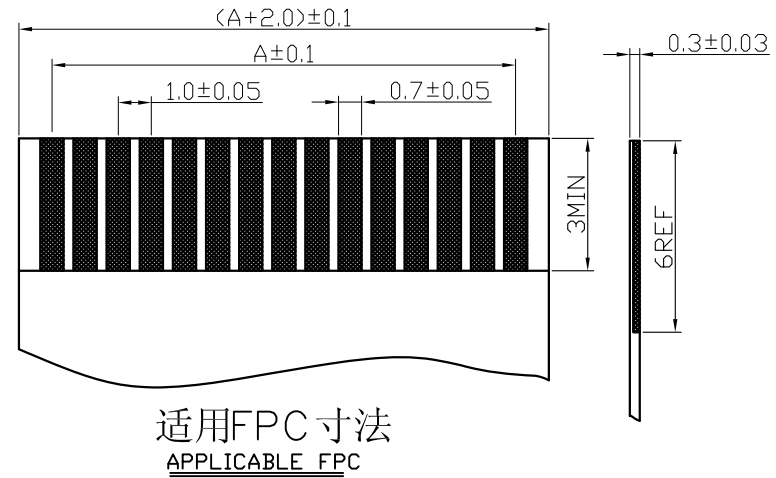
REV.	DESCRIPTION	DATE
B/0	升B版	2017.01.04



- NOTES:
- MATERIAL SEE TABLE;
 - PLATING SEE TABLE;
 - RATING
 - 3-1. OPERATING TEMPERATURE: $-25 \sim 85^{\circ}\text{C}$
 - 3-2. OPERATING VOLTAGE: 50V AC/DC
 - 3-3. CURRENT RATING: 1.0 AMPS
 - 3-4. DIELECTRIC WITHSTANDING VOLTAGE: 500V AC/Minute;
 - 3-5. INSULATION RESISTANCE: 500M Ω Min;
 - 3-6. CONTACT RESISTANCE: 0.03 Ω Max;
 4. PART NO. 60048-***01-5001
- SERIES: Lead Free & HF, 5=Halogen-Free
- CIRCUIT NO.:
- Packing Option: 0=Reel Packing
- Plating: 1=BRIGHT-TIN, 80 μ Min OVER Ni, 30 μ Min..

CKT	Dim A	Dim B	Dim C
2	1	3.06	8.2
3	2	4.06	9.2
4	3	5.06	10.2
5	4	6.06	11.2
6	5	7.06	12.2
7	6	8.06	13.2
8	7	9.06	14.2
9	8	10.06	15.2
10	9	11.06	16.2
11	10	12.06	17.2
12	11	13.06	18.2
13	12	14.06	19.2
14	13	15.06	20.2
15	14	16.06	21.2
16	15	17.06	22.2
17	16	18.06	23.2
18	17	19.06	24.2
19	18	20.06	25.2

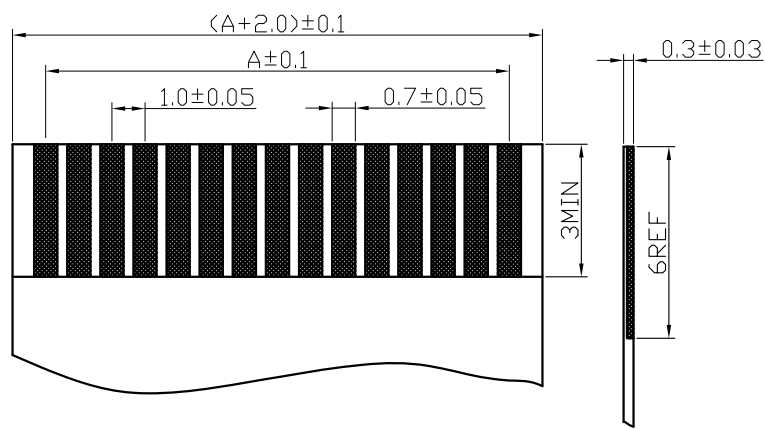
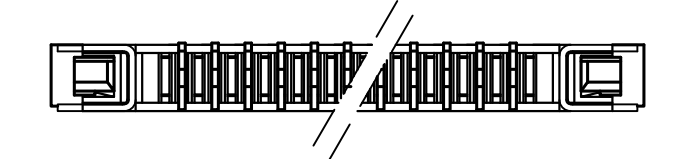
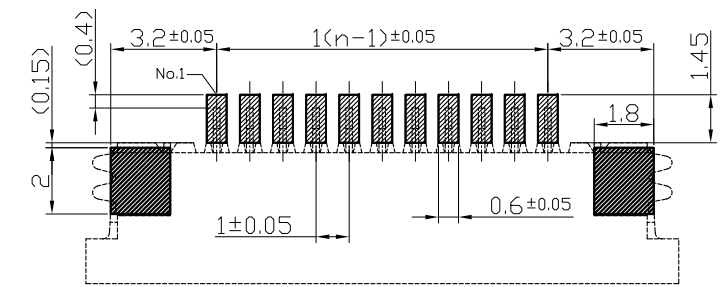
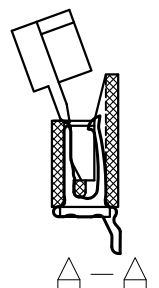
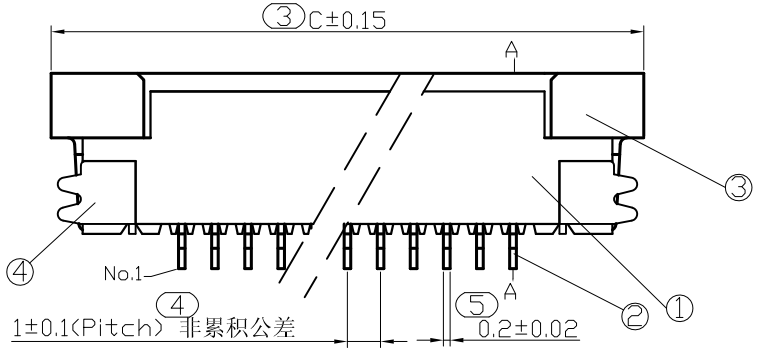
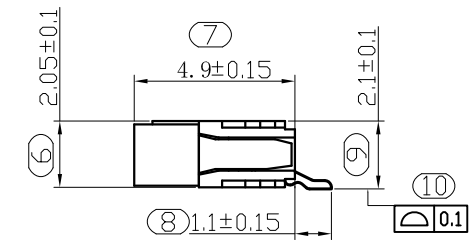
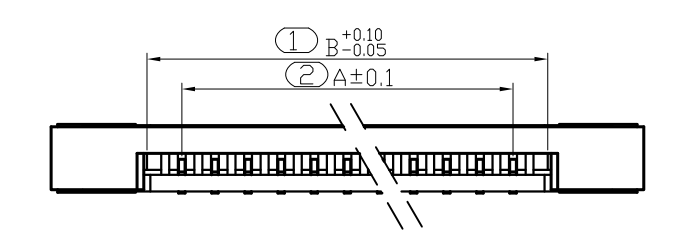
借用登记
旧底图总号
底图总号
签字
日期



序号	图号	名称	材料	数量	附注
4	122-0001-001	焊片 Fitting Nail	磷青铜 Phosphor Bronze	2	电镀(锡): 整个表面做底镍30 μ MIN,再镀锡80 μ MIN.
3	142-0001-001	微动 Actuator	LCP (UL94V-0)	1	本色
2	112-0048-001	端子 Contact	磷青铜 Phosphor Bronze	n \times 1	电镀(锡): 整个表面做底镍30 μ MIN,再镀锡80 μ MIN.
1	132-0001-001	基座 Housing	LCP (UL94V-0)	1	本色

GENERAL TOLERANCES		DRAWN BY	赵婷婷/2017.01.04	 新富尔电子有限公司 XINFUER ELECTORN CO.,LTD	
0.X	± 0.25	X. $^{\circ}$	$\pm 3^{\circ}$		CHK. BY 崔华文/2017.01.04
0.XX	± 0.12				APRV. BY 洪新江/2017.01.04
0.XXX	± 0.05	X.X $^{\circ}$	$\pm 0.5^{\circ}$		
UNIT	SIZE	SCALE	DRAWING NO.	SHEET	PROD. NAME
MM	A4	1:1	006-0048-003	1 OF 2	1.0C-nPBX-AL (2-19PIN)
			TITLE	PART NO.	60048-***01-5001
			1.0 FPC CONN. ZIF SMT DRAWER H=2.0 LOWER CONTACT		

REV.	DESCRIPTION	DATE
B/0	升B版	2017.01.04



适用线路板
RECOMMENDED PCB LAYOUT

NOTES:
 1. MATERIAL SEE TABLE;
 2. PLATING SEE TABLE;
 3. RATING
 3-1. OPERATING TEMPERATURE: -25~85°C
 3-2. OPERATING VOLTAGE: 50V AC/DC
 3-3. CURRENT RATING: 1.0 AMPS
 3-4. DIELECTRIC WITHSTANDING VOLTAGE:
 500V AC/Minute;
 3-5. INSULATION RESISTANCE: 500MΩ Min;
 3-6. CONTACT RESISTANCE: 0.03Ω Max;
 4. PART NO.
 60048-**01-5001
 SERIES | Lead Free & HF
 | 5=Halogen-Free
 CIRCUIT NO. | Plating:
 | 1=BRIGHT-TIN
 | 80μ" Min OVER Ni
 | 30μ" Min..
 Packing Option:
 0=Reel Packing

CKT	Dim A	Dim B	Dim C
20	19	21.06	26.9
21	20	22.06	27.9
22	21	23.06	28.9
23	22	24.06	29.9
24	23	25.06	30.9
25	24	26.06	31.9
26	25	27.06	32.9
27	26	28.06	33.9
28	27	29.06	34.9
29	28	30.06	35.9

序号	图号	名称	材料	数量	备注
4	122-0005-001	焊片 Fitting Nail	磷青铜 Phosphor Bronze	2	电镀(锡): 整个表面做底锡30u"MIN,再镀锡80u"MIN.
3	142-0005-001	微动 Actuator	LCP (UL94V-0)	1	本色
2	112-0048-001	端子 Contact	磷青铜 Phosphor Bronze	n×1	电镀(锡): 整个表面做底锡30u"MIN,再镀锡80u"MIN.
1	132-0005-001	基座 Housing	LCP (UL94V-0)	1	本色

GENERAL TOLERANCES		DRAWN BY	赵婷婷/2017.01.04	新富尔电子有限公司 XINFUER ELECTORN CO.,LTD	
0.X	±0.25	X.°	±3°		CHK. BY 崔华文/2017.01.04
0.XX	±0.12				APRV. BY 洪新江/2017.01.04
0.XXX	±0.05	X.X°	±0.5°		SHEET 2 OF 2
UNIT	SIZE	SCALE	DRAWING NO.	PART NO.	60048-**01-5001
MM	A4	1:1	006-0048-003	TITLE	1.0 FPC CONN. ZIF SMT DRAWER H=2.0 LOWER CONTACT

适用FPC寸法
APPLICABLE FPC

借用登记
旧底图总号
底图总号
签字
日期