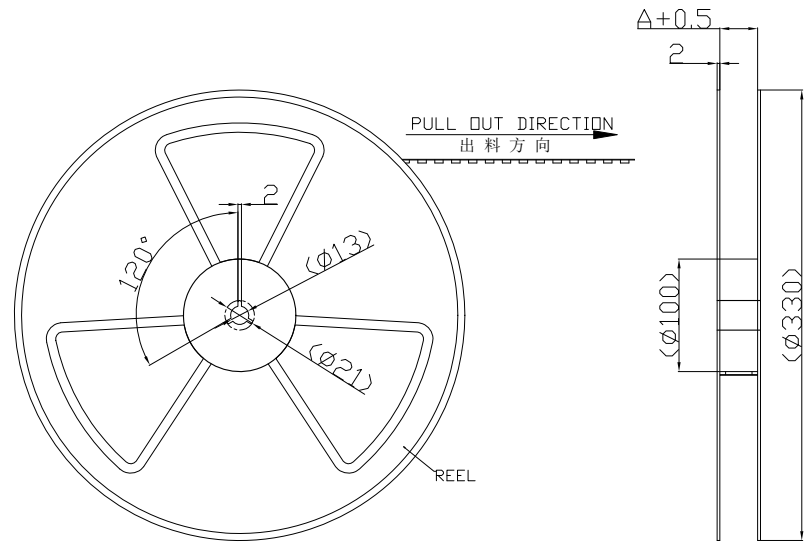
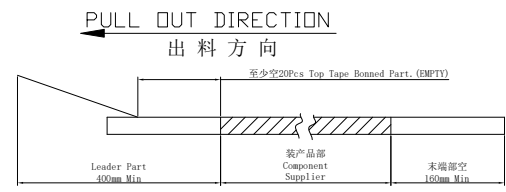


REV.	DESCRIPTION	DATE
B/0	升B版	2017.01.02

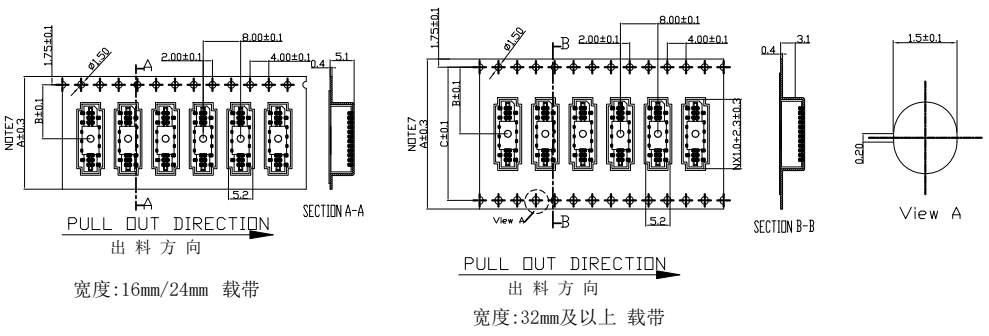
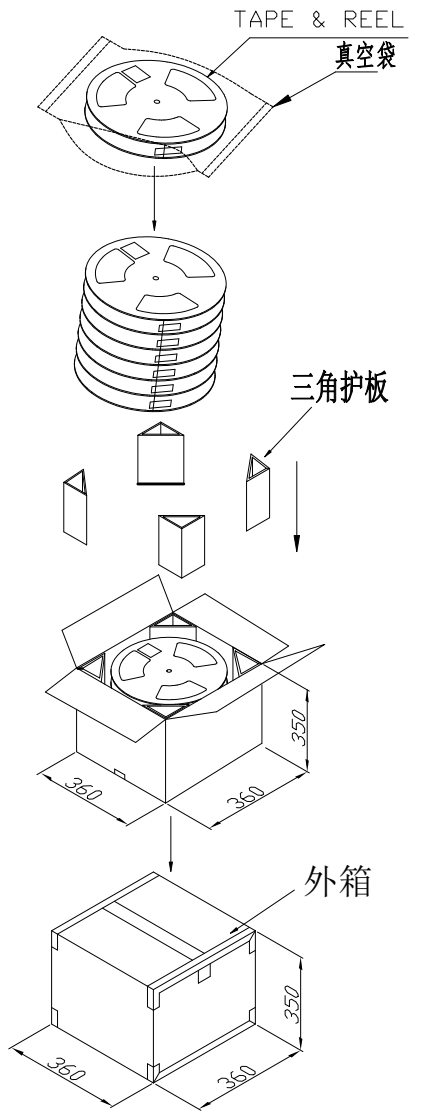


Note:

- 1.Sprocket holes pitch cumulative tolerance  $\pm 0.1$ . (Accumulative Pitch  $\pm 0.2$ )
- 2.Carrier camber is within 1mm in 100mm.
- 3.All dimensions meet EIA-481-D requirements.
- 4.Thick ness:  $0.4 \pm 0.1$ mm.
- 5.Material of top fape: PET, PE, PEF
- 6.Material of carrier fape: Poystyrene
- 7.For tape width (dimension A) 16mm and 24mm a pilot hole is provided on one side. For tape width (dimension A) 32mm and 44mm pilot holes are provided on both sides.

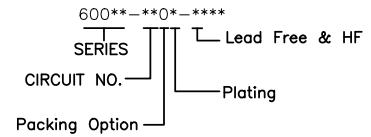


载带带头及带尾尺寸  
Lead tape length



宽度: 16mm/24mm 载带

宽度: 32mm及以上 载带



借用登记  
旧底图总号  
底图总号  
签字  
日期

PART No.	60045/60046/60047-**0*-****				
REEL WIDTH	16	24	32	44	56
PCS/REEL	1500				
REEL/BOX	16	12	9	7	5
BOX/PCS	24K	18K	13.5K	10.5K	7.5K
CTN. SIZE	360*360*350				

GENERAL TOLERANCES		
0.X	$\pm 0.25$	X° $\pm 3^\circ$
0.XX	$\pm 0.12$	
0.XXX	$\pm 0.05$	X.X° $\pm 0.5^\circ$
UNIT	SIZE	SCALE
MM	A4	1:1

DRAWN BY	赵博博/2017.01.02
CHK. BY	崔华文/2017.01.02
APRV. BY	洪新江/2017.01.02
DRAWING NO.	004-0045-001

**ZJXF E** 新富尔电子有限公司  
XINFUER ELECTORN CO.,LTD

SHEET 1 OF 1  
PROD. NAME 1.0B-nPLB/nPLBF/nPB  
PART NO. 60045/60046/60047

TITLE  
1.0 FPC CONN. NON-ZIF SMT H=4.3 VERTICAL CONTACT

芯数 Pin (n)	PART NO.	尺寸 Size		
		A	B	C
4-6	600**040*-****-600**060*-****	16.0	7.5	---
8-12	600**060*-****-600**120*-****	24.0	11.5	---
13-18	600**130*-****-600**180*-****	32.0	14.2	28.4
20-30	600**200*-****-600**300*-****	44.0	20.2	40.4
32-35	600**320*-****-600**350*-****	56.0	26.2	52.4