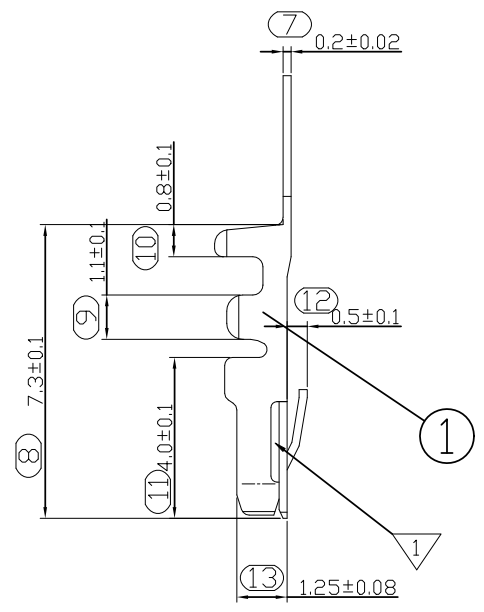
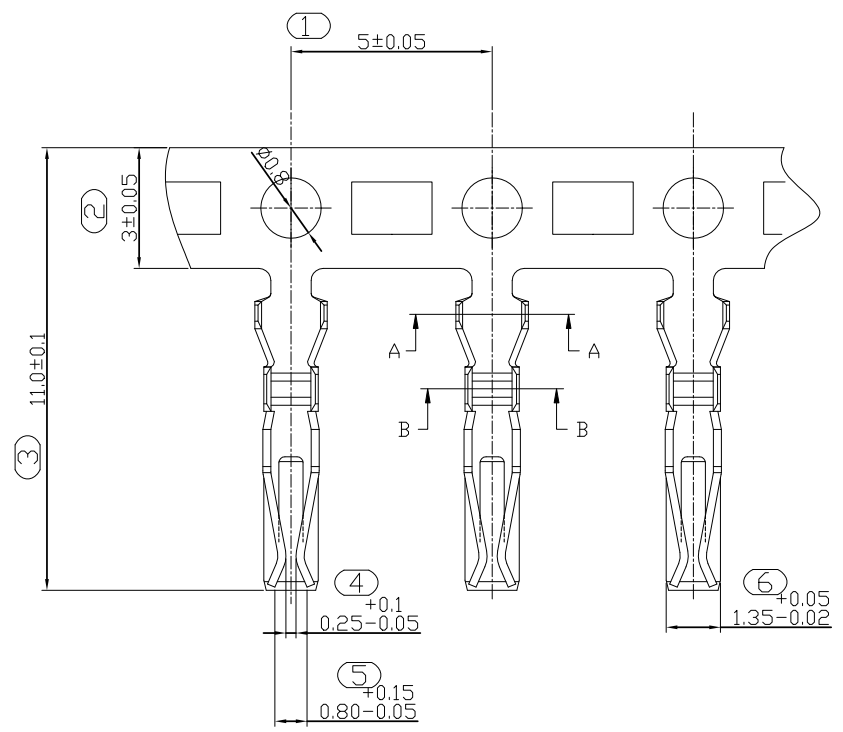
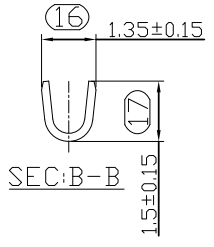
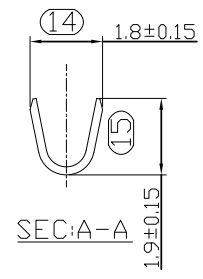


REV.	DESCRIPTION	DATE
B/0	升 B 版	2016.12.16



- NOTES:
- MATERIAL SEE TABLE;
  - PLATING SEE TABLE;
  - RATING
  - 3-1. OPERATING TEMPERATURE: -25~85°C
  - 3-2. OPERATING VOLTAGE: 250V AC/DC
  - 3-3. CURRENT RATING: 2.0 AMPS(26#)
  - 3-4. DIELECTRIC WITHSTANDING VOLTAGE: 1000V AC/Minute;
  - 3-5. INSULATION RESISTANCE: 1000MΩ Min;
  - 3-6. CONTACT RESISTANCE: 0.03Ω Max;
  - PART NO.

21033-2T01-1001  
 SERIES Serial Number  
 Hardware  
 Plating:  
 1=BRIGHT-TIN  
 80μ"Min OVER Ni  
 30μ"Min..



借用登记  
 旧底图总号  
 底图总号  
 签字  
 日期

1	112-1033-001	端子 Contact	磷青铜 Phosphor Bronze	n×1	电镀: 整个表面镀成镍30u"MIN,再镀锡80u"MIN
GENERAL TOLERANCES			DRAWN BY 赵博博/2016.12.16	 <b>新富尔电子有限公司</b> <b>XINFUER ELECTORN CO.,LTD</b>	
0.X	±0.25	X.° ±3°	CHK. BY 崔华文/2016.12.16		
0.XX	±0.12		APRV. BY 洪新江/2016.12.16		
0.XXX	±0.05	X.X° ±0.5°	DRAWING NO. 012-1033-001	SHEET 1 OF 1	PROD. NAME PHD-DK-T-1
UNIT MM	SIZE A4	SCALE 1:1	PART NO. 21033-2T01-1001		TITLE 2.0 WTb CONN. PLUG CRIMP TERMINAL