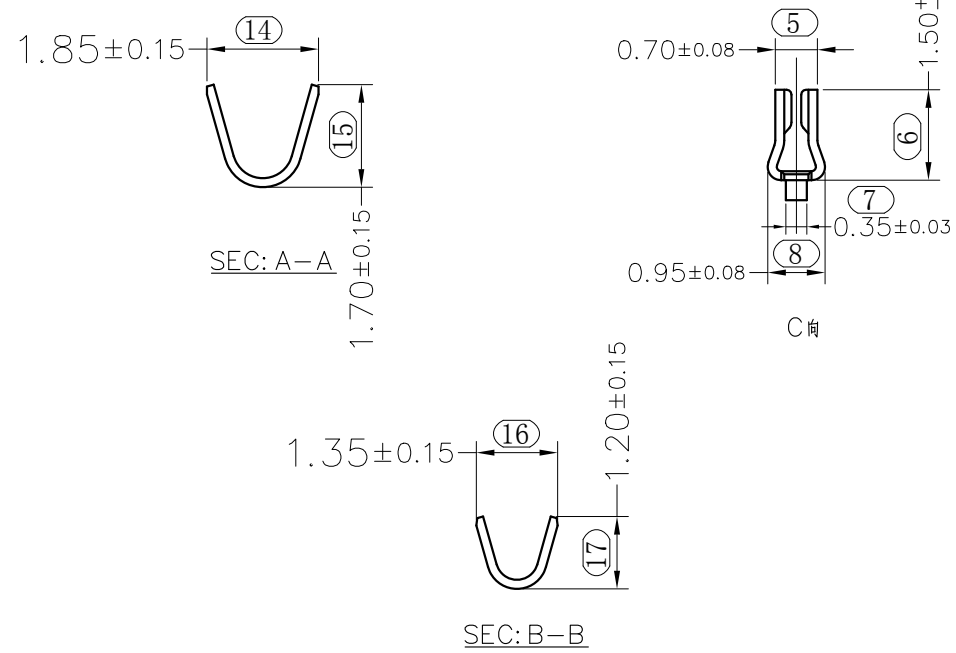
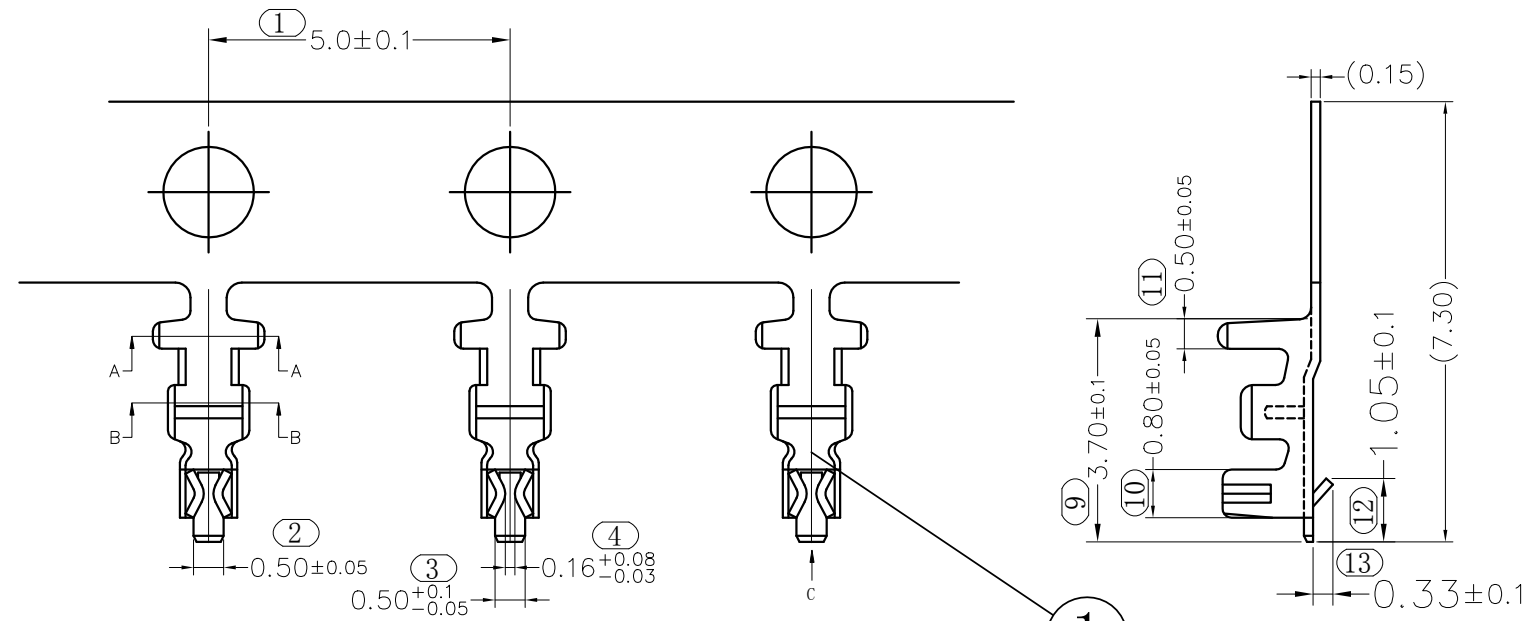


REV.	DESCRIPTION	DATE
B/0	升B版	2017.02.16



NOTES:

- MATERIAL SEE TABLE;
- PLATING SEE TABLE;
- RATING
  - OPERATING TEMPERATURE: -25~85°C
  - OPERATING VOLTAGE: 150V AC/DC
  - CURRENT RATING: 1.0 AMPS(AWG#26)
  - DIELECTRIC WITHSTANDING VOLTAGE: 1000V AC/Minute;
- INSULATION RESISTANCE: 1000MΩ Min;
- CONTACT RESISTANCE: 0.03Ω Max;
- PART NO.
 

21026-2T01-1001	
SERIES	Serial Number
Hardware	Plating:
	1=BRIGHT-TIN
	80μ"Min OVER Ni
	30μ"Min..

借用登记

旧底图总号

底图总号

签字

日期

GENERAL TOLERANCES			DRAWN BY	赵博博/2017.02.16	<b>新富尔电子有限公司</b> XINFUER ELECTORN CO.,LTD
0.X	±0.25	X.° ±3°	CHK. BY	崔华文/2017.02.16	
0.XX	±0.12		APRV. BY	洪新江/2017.02.16	
0.XXX	±0.05	X.X° ±0.5°	DRAWING NO.	012-1026-001	SHEET 1 OF 1 PROD. NAME DF13-T PART NO. 21026-2T01-1001 TITLE 1.25 WTB CONN.PLUG CRIMP TERMINAL
UNIT	SIZE	SCALE			
MM	A4	1:1			