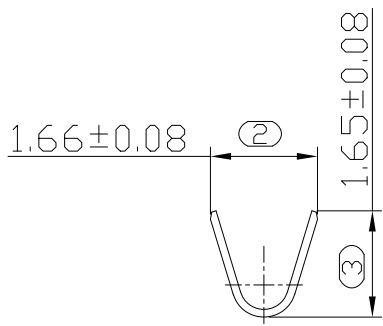
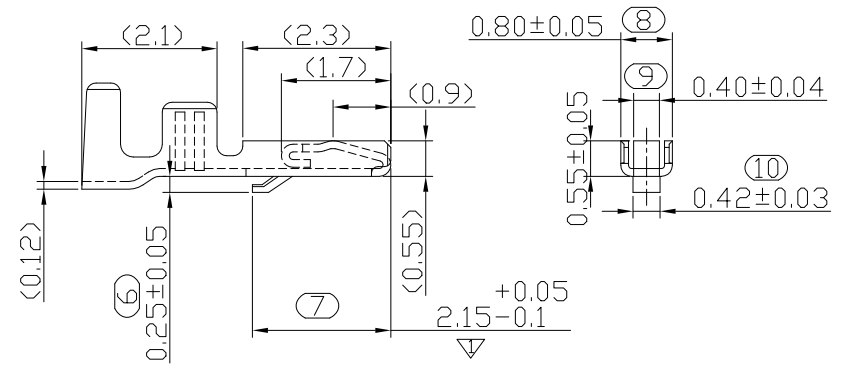
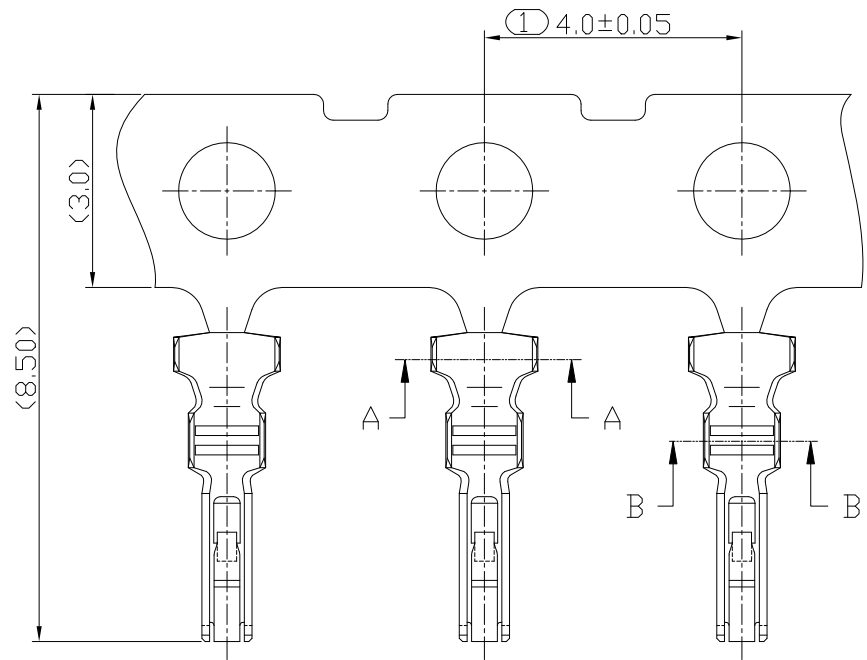
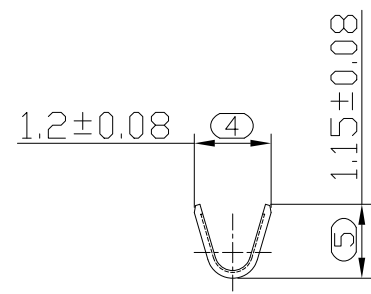


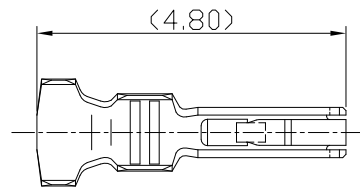
REV.	DESCRIPTION	DATE
B/0	升B版	2016.12.16



SEC:A-A



SEC:B-B



NOTES:
 1. MATERIAL SEE TABLE;
 2. PLATING SEE TABLE;
 3. RATING
 3-1. OPERATING TEMPERATURE: -25~85°C
 3-2. OPERATING VOLTAGE: 150V AC/DC
 3-3. CURRENT RATING: 1.0 AMPS (28#)
 3-4. DIELECTRIC WITHSTANDING VOLTAGE: 500V AC/Minute;
 3-5. INSULATION RESISTANCE: 100MΩ Min;
 3-6. CONTACT RESISTANCE: 0.02Ω Max;
 4. PART NO.
 21021-2T01-1001
 SERIES Serial Number
 Hardware Plating:
 1=BRIGHT-TIN 80μ"Min
 OVER Ni 30μ"Min..

借用登记
 旧底图总号
 底图总号
 签字
 日期

1	152-1021-001	端子 Contact	磷青铜 Phosphor Bronze	nx1	电镀: 整个表面镀底镍30u"MIN,再镀锡80u"MIN.	
GENERAL TOLERANCES		DRAWN BY	赵博群/2016.12.16			
0.X	±0.25	X.°	±3°	CHK. BY	崔华文/2016.12.16	
0.XX	±0.12			APRV. BY	洪新江/2016.12.16	
0.XXX	±0.05	X.X°	±0.5°	DRAWING NO.	052-1021-001	
UNIT	SIZE	SCALE		SHEET	1 OF 1	
MM	A4	1:1		PART NO.	21021-2T01-1001	
TITLE				1.25 WTB CONN. PLUG CRIMP TERMINAL		

ZJXF 新富尔电子有限公司
 XINFUER ELECTORN CO.,LTD

PROD. NAME GH-T