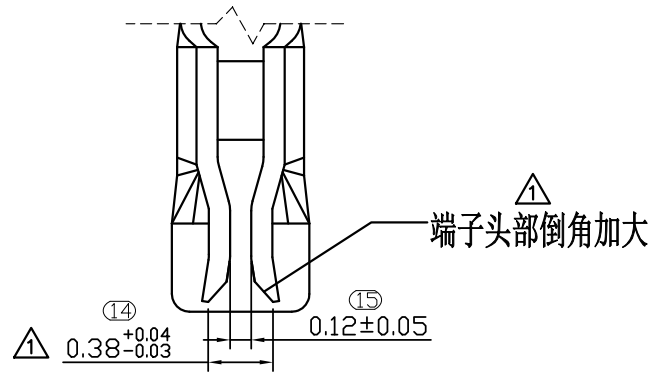
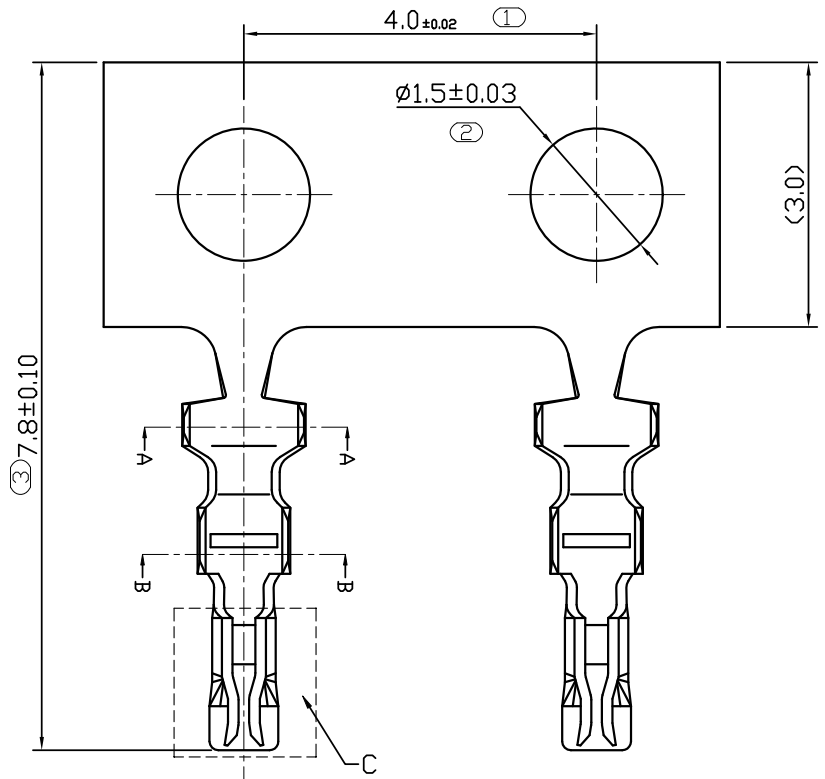


REV.	DESCRIPTION	DATE
B/0	升 B 版	2016.12.16
B/1	△端子头部倒角改善	2020.10.29



DETAIL: C SCALE 2:1

NOTES:

- MATERIAL SEE TABLE;
- PLATING SEE TABLE;
- RATING
- 3-1. OPERATING TEMPERATURE: -25~85°C
- 3-2. OPERATING VOLTAGE: 150V AC/DC
- 3-3. CURRENT RATING: 1.0 AMPS(28-32#)
- 3-4. DIELECTRIC WITHSTANDING VOLTAGE: 500V AC/Minute;
- 3-5. INSULATION RESISTANCE: 100MΩ Min;
- 3-6. CONTACT RESISTANCE: 0.03Ω Max;
- PART NO.

21009-2T01-1001

SERIES | Serial Number

Hardware | Plating:
1=BRIGHT-TIN 80μ"Min
OVER Ni 30μ"Min..

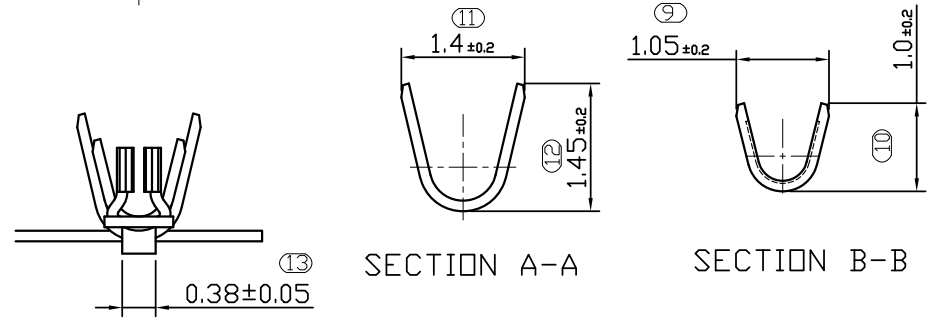
借用登记

旧底图总号

底图总号

签字

日期



序号	图号	名称	材料	数量	附注
1	152-1009-001	端子	Phosphor Bronze		电性能: 整体表面镀层≥30u"MIN, 焊盘≥80u"MIN.

GENERAL TOLERANCES			DRAWN BY	赵博群/2016.12.16	
0.X	±0.25	X.° ±3°	CHK. BY	崔华文/2016.12.16	
0.XX	±0.12		APRV. BY	洪新江/2016.12.16	
0.XXX	±0.05	X.X° ±0.5°	DRAWING NO.	1 OF 1	PROD. NAME 1.0TB-T
UNIT	SIZE	SCALE	052-1009-001	PART NO.	21009-2T01-1001
MM	A4	1:1		TITLE	1.0 WTB CONN. PLUG CRIMP TERMINAL

ZJXFE 新富尔电子有限公司
XINFUER ELECTORN CO.,LTD